

Item No.: SL880 Series

(Power: 160W / 200W)



Materials

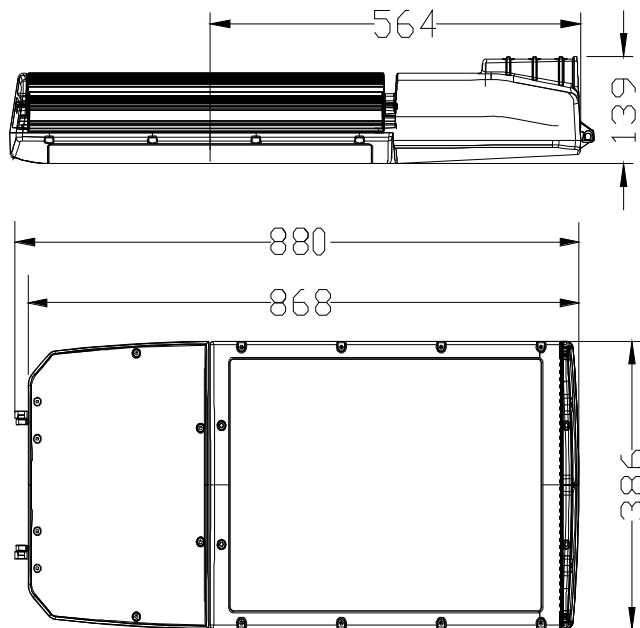
- High quality Die-casting aluminum alloy.
- Anodized and powder coated to assure the anti-corrosion performance.
- 3.5mm lead-free toughened glass with high light transmission.
- High power ceramic encapsulation multi-chip LED, Bridgelux Chip.

Features

- Bat wing light distribution, suitable for street lighting.
- Lamp's Efficiency: >87%, Power factor>0.95
- Patented technology for LED encapsulation (COB)
- Input voltage: AC 85V-265V (50-60Hz); DC24V (Available for solar energy system)
- Protection level: IP65, Insulation Class: CLASS 1.
- Lifespan: 50,000 hours, Lumens depreciation: <3% after 5000 hours
- Environment friendly, no UV
- GB7000.1, IEC60598, IEC61347, EN55015 test compliance.

LED STREET LIGHT - SL880 SERIES (160W-200W)

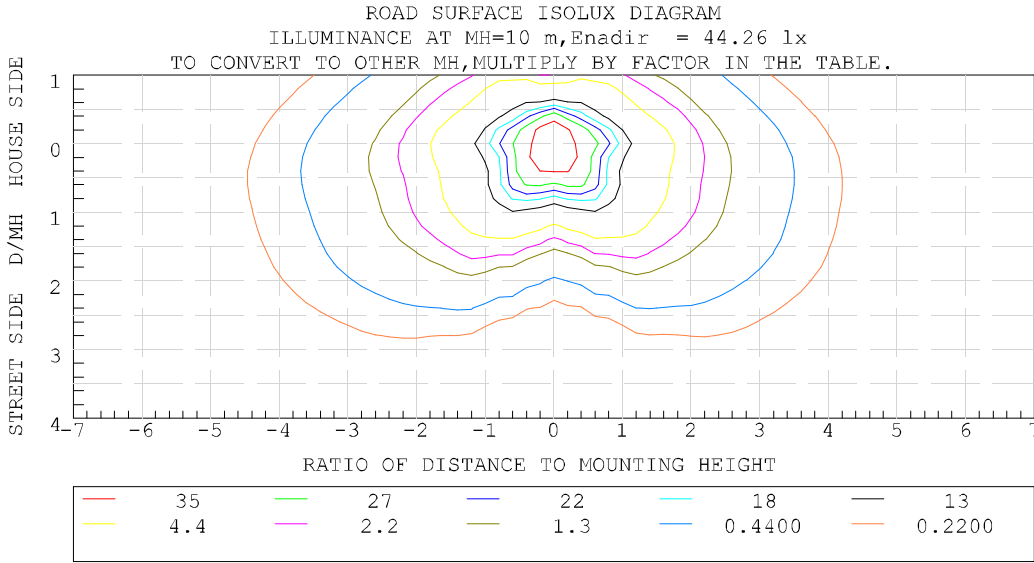
Drawing



Parameters

Input Voltage	AC85V-265V, DC24V	
Frequency Range	50/60Hz (AC)	
Total Harmonic Distortion	≤ 9 %	
Power Factor	> 0.95	
LED Quantity	4 pcs	
LED Power Consumption	160W / 200W	
LED Luminous Efficiency	100 LM/W; 130 LM/W	
Lamp's Efficiency	> 87 %	
Lighting Distribution Type	Type IV	
Illuminance Uniformity	> 0.4	
Color Temperature (CCT)	WW	2700K - 3200K - 3700K
	PW	4500K - 5000K - 5500K
	CW	6000K - 6500K - 7000K
Color Rendering Index	WW	Ra> 75
	PW,CW	Ra> 78
Working Temperature	-40°C ~ +55°C	
Storage Temperature	-25°C ~ +65°C	
IP Grade	IP65	
Working Life-span	50,000h	
Color of Fixture	White, Grey (can be customized)	
Net Weight	18.1 kg	

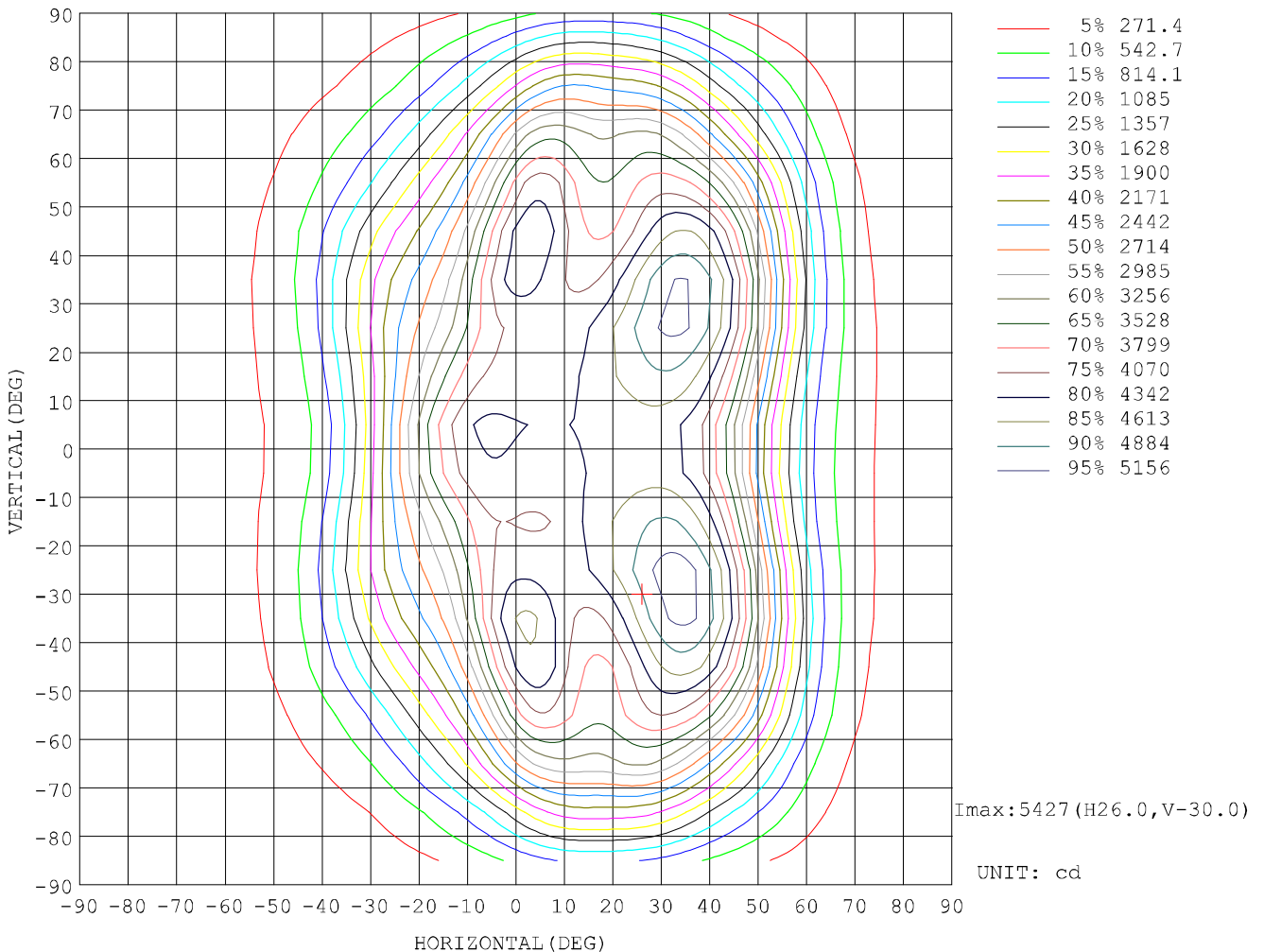
Road Surface Isolux Diagram (200W)



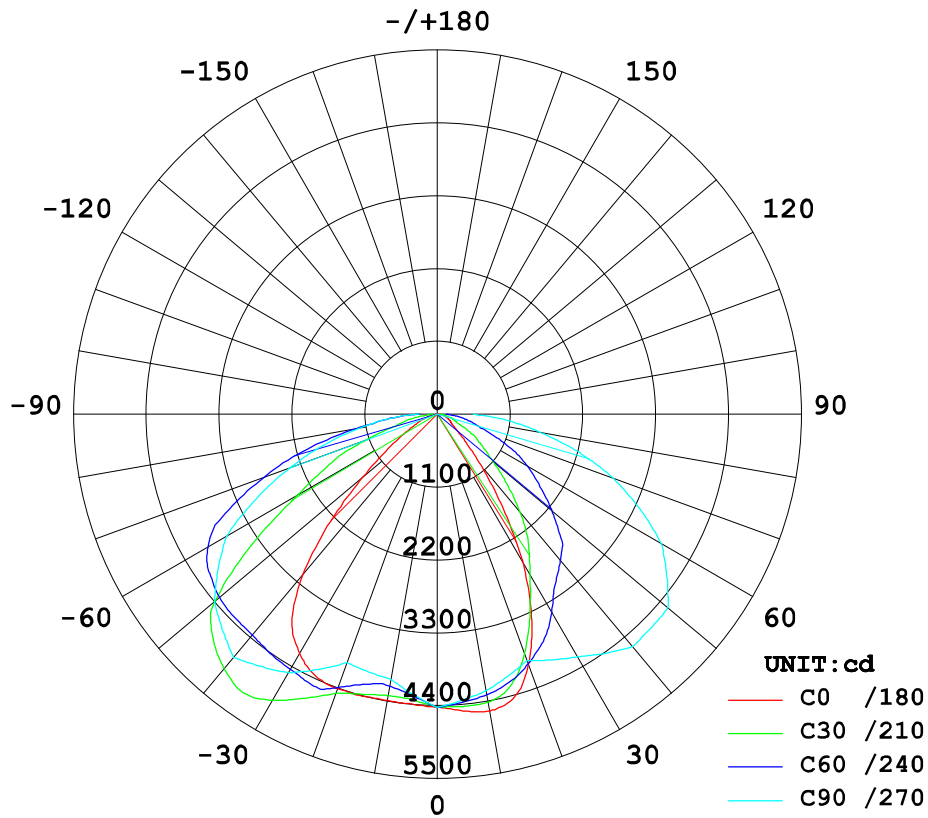
According to LB/T001-2008:
 $U = E_{min}/E_{avg} = 0.430$
 $E_{avg} = 32.03 \text{ lx}$

HEIGHT	FACTOR
5 m	4.000
6 m	2.778
7 m	2.041
8 m	1.563
9 m	1.235
10 m	1.000
11 m	0.826
12 m	0.694
13 m	0.592
14 m	0.510
15 m	0.444
16 m	0.391

ISOCANDELA DIAGRAM



Intensity Distribution Diagram (200w)



Packing Info.

Package size: 95x46x21cm, 1 Piece/Carton, G.W.: 20.3 kg

FEEL
LIGHT FEELIGHT TECH CO., LIMITED

Tel: +86 755-33154377

Fax: +86 755-25828879

E-mail: info@feellights.com

<http://www.feellights.com>