

## **Item No.: SL760 Series**

**(Power: 120W / 150W)**



### **Materials**

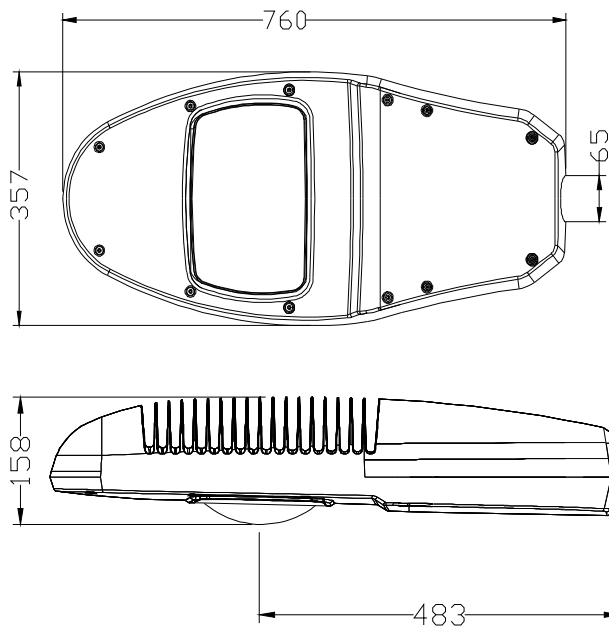
- High quality Die-casting aluminum alloy.
- Anodized and powder coated to assure the anti-corrosion performance.
- 3.5mm lead-free toughened glass with high light transmission.
- High power ceramic encapsulation multi-chip LED, Bridgelux Chip.

### **Features**

- Bat wing light distribution, suitable for street lighting.
- Lamp's Efficiency: >87%, Power factor>0.95
- Patented technology for LED encapsulation (COB)
- Input voltage: AC 85V-265V (50-60Hz); DC24V (Available for solar energy system)
- Protection level: IP65, Insulation Class: CLASS 1.
- Lifespan: 50,000 hours, Lumens depreciation: <3% after 5000 hours
- Environment friendly, no UV
- GB7000.1, IEC60598, IEC61347, EN55015 test compliance.

## LED STREET LIGHT - SL760 SERIES (120W-150W)

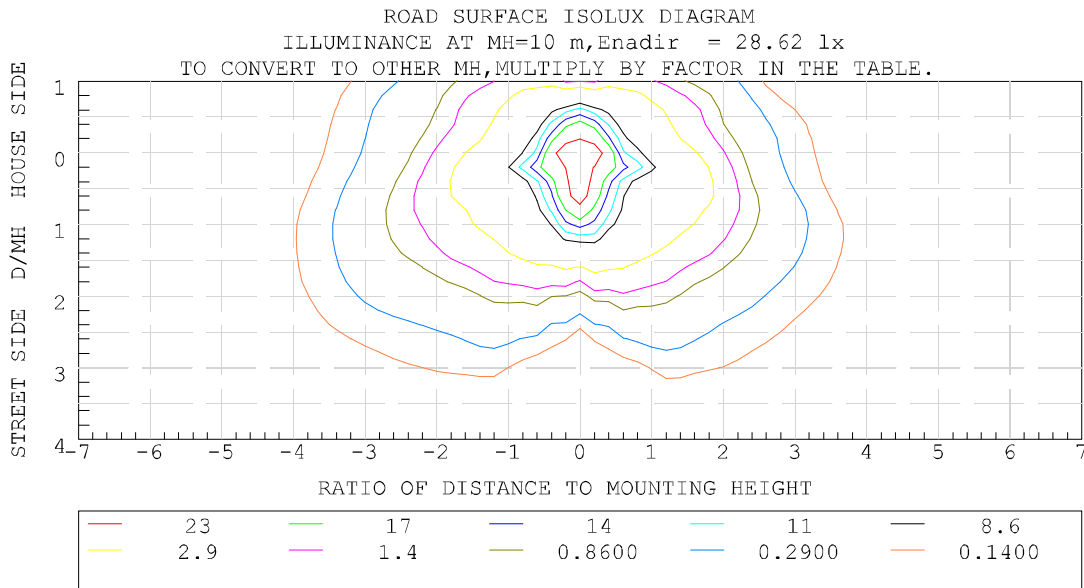
### Drawing



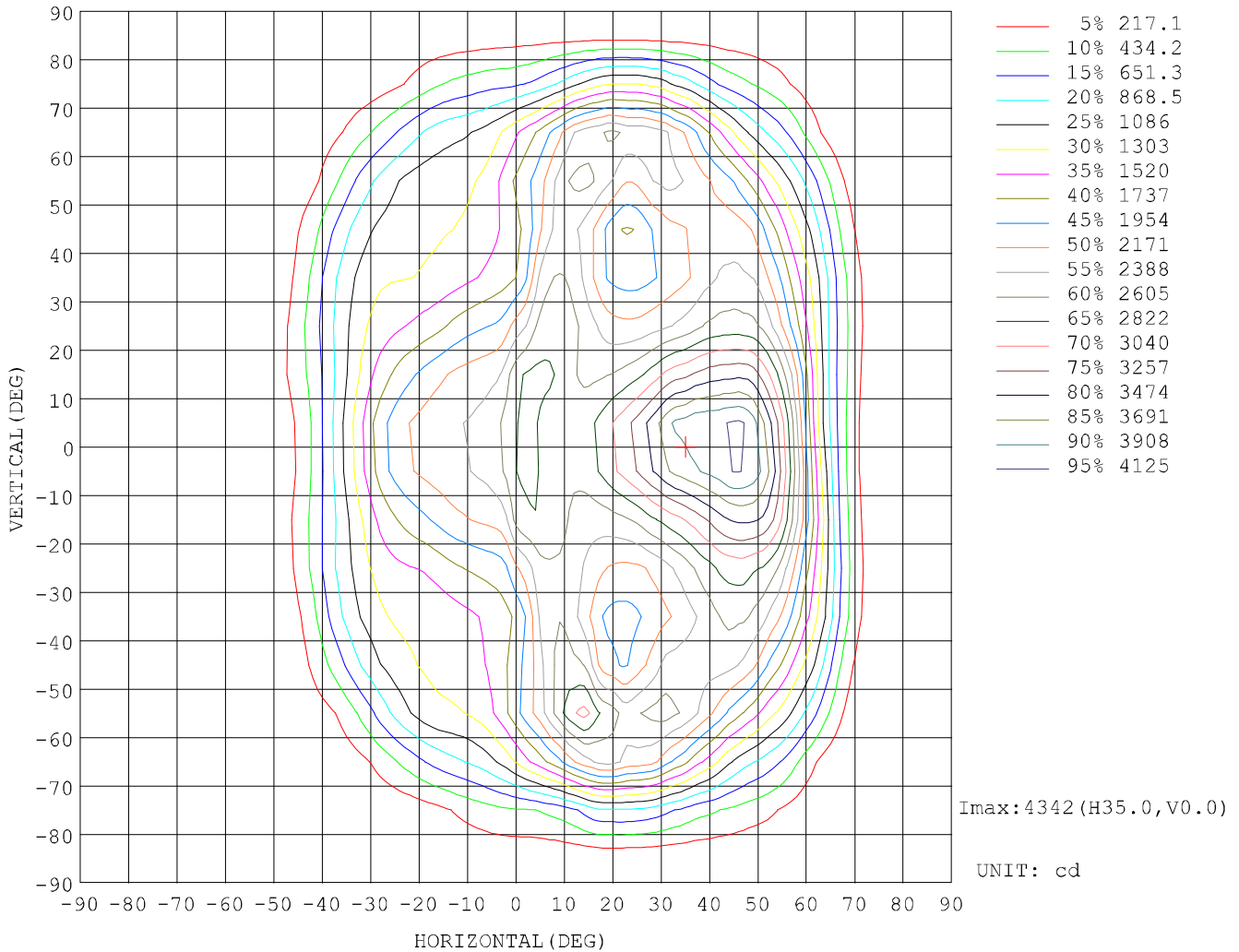
### Parameters

Input Voltage	AC85V-265V, DC24V	
Frequency Range	50/60Hz (AC)	
Total Harmonic Distortion	≤ 9 %	
Power Factor	> 0.95	
LED Quantity	2 pcs	
LED Power Consumption	120W / 150W	
LED Luminous Efficiency	100 LM/W; 130 LM/W	
Lamp's Efficiency	> 87 %	
Lighting Distribution Type	Type III	
Illuminance Uniformity	> 0.4	
Color Temperature (CCT)	WW	3000K - 3500K - 4000K
	PW	4500K - 5000K - 5500K
	CW	6000K - 6500K - 7000K
Color Rendering Index	WW	Ra > 70
	PW,CW	Ra > 75
Working Environment Temperature	-40°C ~ +55°C	
Storage Environment Temperature	-25°C ~ +65°C	
IP Grade	IP65	
Working Life-span	50,000h	
Color of Fixture	White, Grey (can be customized)	
Net Weight	12.5 kg	

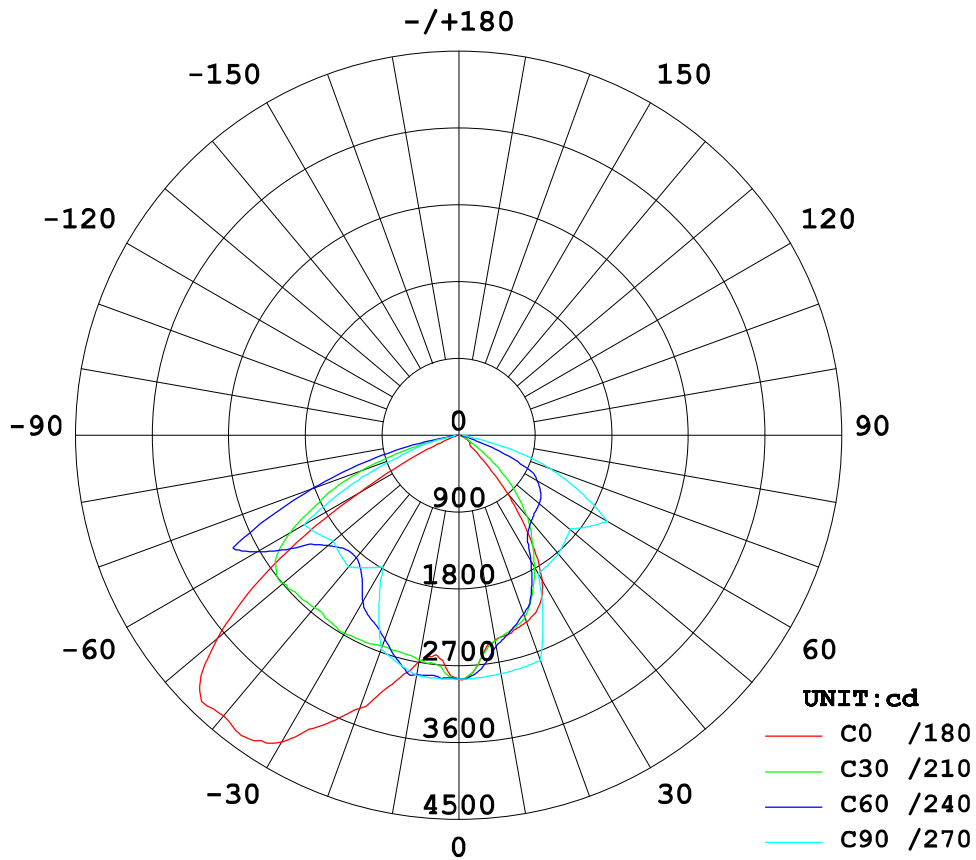
## Road Surface Isolux Diagram (120W)



## ISOCANDELA DIAGRAM



## Intensity Distribution Diagram (120w)



## Packing Info.

Package size: 84x41x26cm, 1 Piece/Carton, G.W.: 14.6 kg

**FEEL**  
LIGHT  
FEELIGHT TECH CO., LIMITED

Tel: +86 755-25828879  
E-mail: [info@feellights.com](mailto:info@feellights.com)

Fax: +86 755-33154377  
<http://www.feellights.com>