

LED STREET LIGHT - SL470 SERIES (30W-50W)

Item No.: SL470 Series (Power: 30W - 50W)



Materials

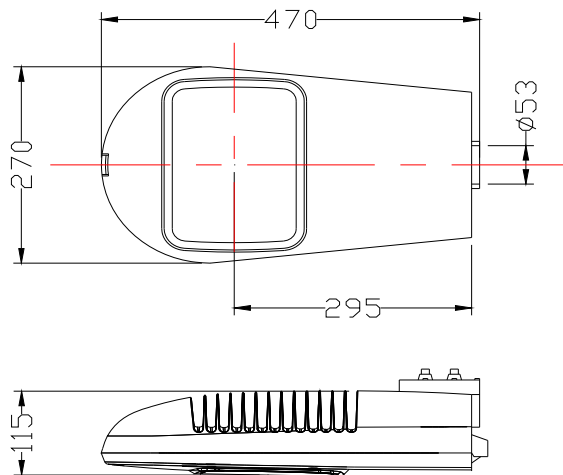
- High quality Die-casting aluminum alloy.
- Anodized and powder coated to assure the anti-corrosion performance.
- 3.5mm lead-free toughened glass with high light transmission.
- High power ceramic encapsulation multi-chip LED, Bridgelux Chip.

Features

- Bat wing light distribution, suitable for street lighting.
- Lamp's Efficiency: >87%, Power factor>0.95
- Patented technology for LED encapsulation (COB)
- Input voltage: AC 85V-265V (50-60Hz); DC12V, DC24V (Available for solar energy system)
- Protection level: IP65, Insulation Class: CLASS 1.
- Lifespan: 50,000 hours, Lumens depreciation: <3% after 5000 hours
- Environment friendly, no UV
- GB7000.1, IEC60598, IEC61347, EN55015 test compliance.

LED STREET LIGHT - SL470 SERIES (30W-50W)

Drawing

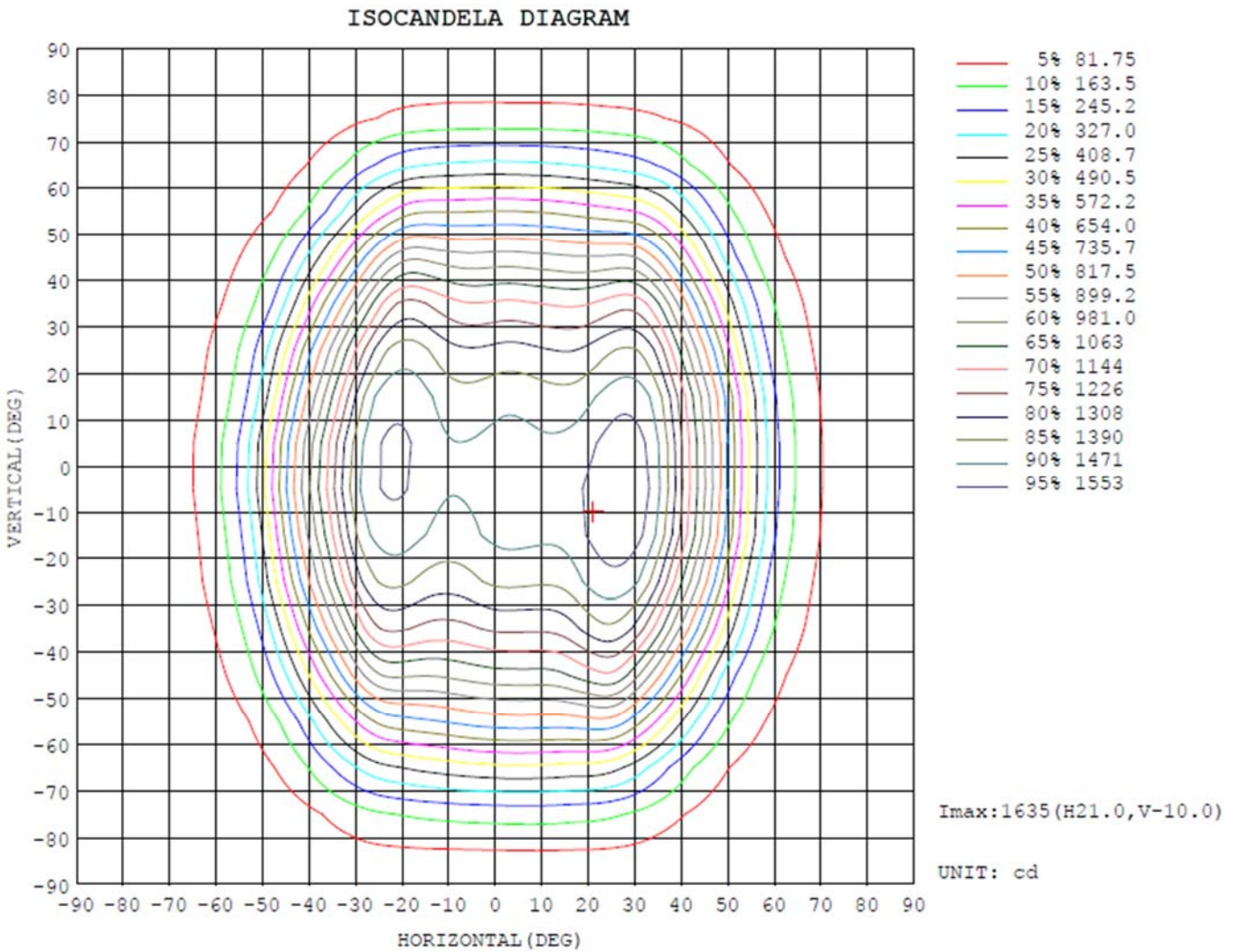
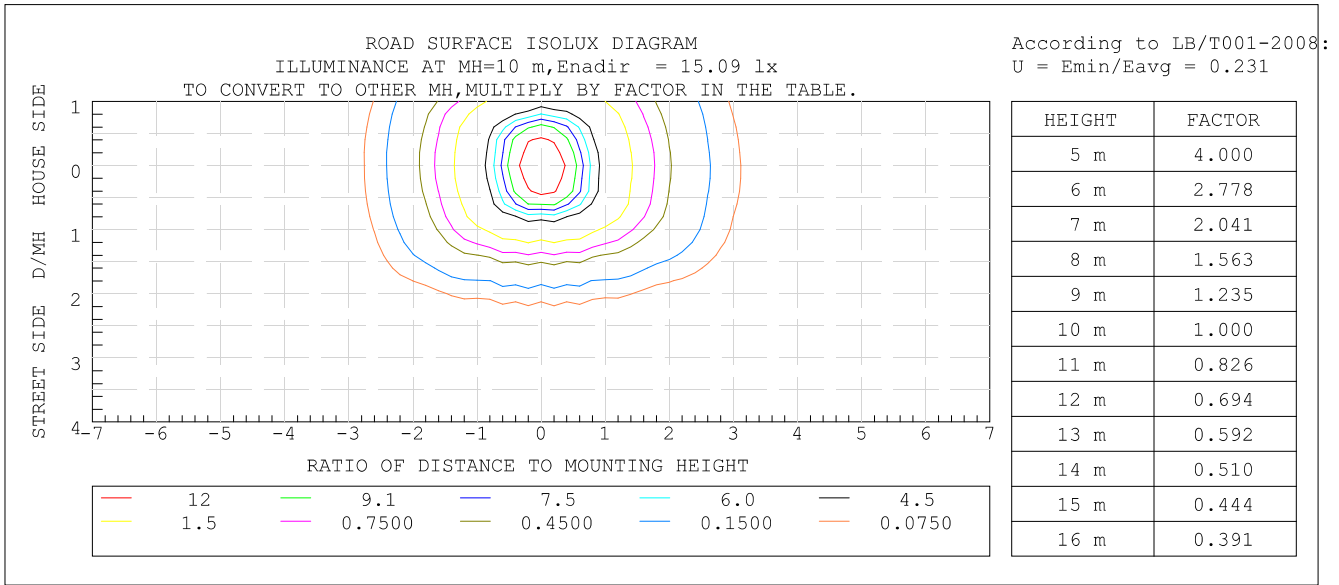


Parameters

Input Voltage	AC85V-265V, DC12V, DC24V	
Frequency Range	50-60Hz (AC)	
Total Harmonic Distortion	$\leq 9\%$	
Power Factor	> 0.95	
LED Quantity	1 pcs	
LED Power Consumption	30W - 50W	
LED Luminous Efficiency	100 LM/W; 130 LM/W	
Lamp's Efficiency	$> 87\%$	
Lighting Distribution Types	Type II	
Illuminance Uniformity	> 0.4	
Color Temperature (CCT)	WW	3000K - 3500K - 4000K
	PW	4500K - 5000K - 5500K
	CW	6000K - 6500K - 7000K
Color Rendering Index	WW	$R_a > 75$
	PW,CW	$R_a > 78$
LED Junction Temperature	$\leq 80^\circ\text{C}$	
Working Temperature	$-40^\circ\text{C} \sim +55^\circ\text{C}$	
Storage Temperature	$-25^\circ\text{C} \sim +65^\circ\text{C}$	
IP Grade	IP65	
Working Life-span	50,000h	
Color of Fixture	White	
Net Weight	4.1 kg	

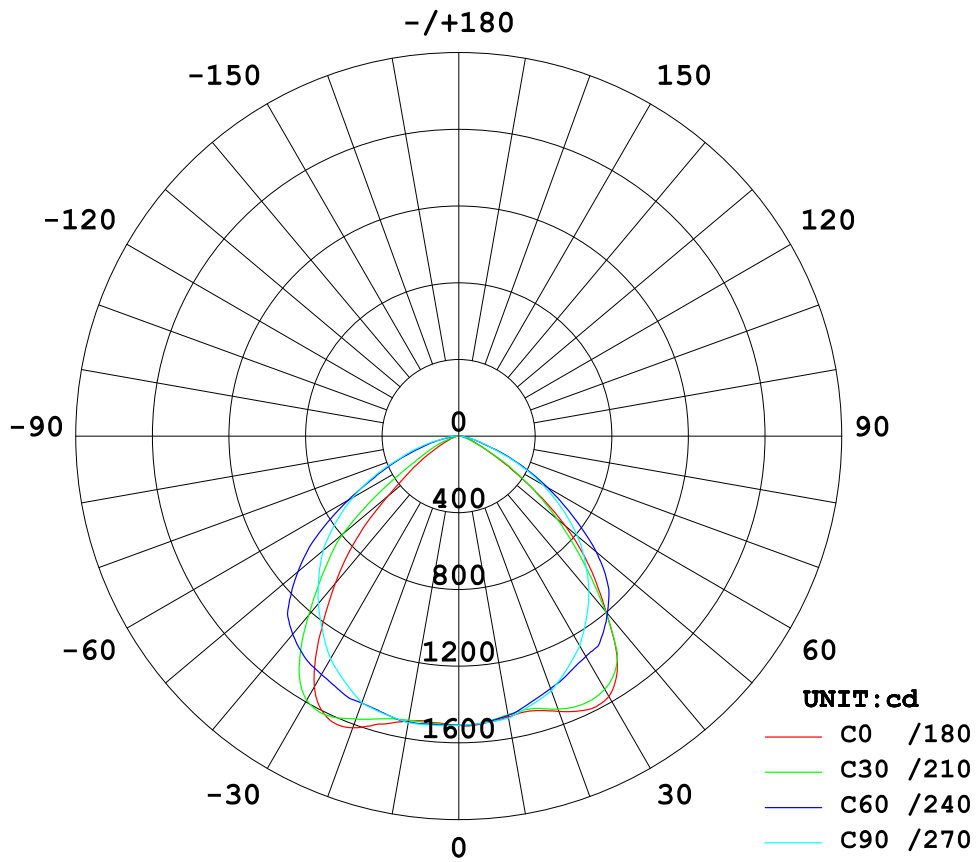
LED STREET LIGHT - SL470 SERIES (30W-50W)

Road Surface Isolux Diagram (50w)



LED STREET LIGHT - SL470 SERIES (30W-50W)

Intensity Distribution Diagram (50w)



Packing Info.

Package size: 53x31x19cm, 1 Piece/Carton, G.W.: 5 kg

FEEL
LIGHT FEELIGHT TECH CO., LIMITED

Tel: +86 755-33154377
E-mail: info@feellights.com

Fax: +86 755-25828879
<http://www.feellights.com>

Copyright © FEELIGHT TECH CO., LIMITED All rights reserved.