

# LED Street Light (60w-210w)

---



---

## I. Application

Street lighting, the parking lot, residential road.

---

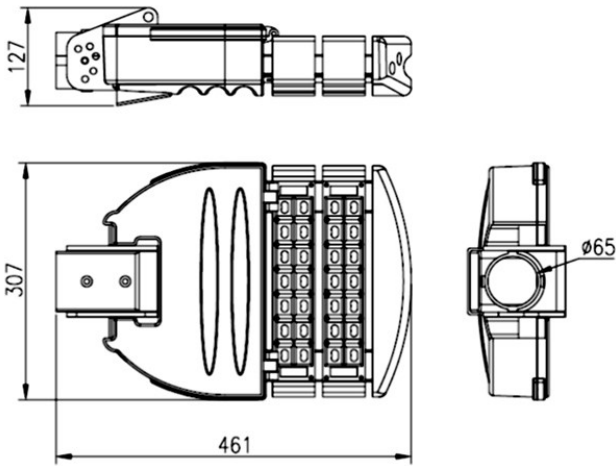
## II. Features

- 1 Modular design, make the light efficiency reach 90LM/W.
- 2 The power box can be open without tool, for easy maintenance.
- 3 Installation Angle can be adjusted from  $-15^{\circ}$  to  $+15^{\circ}$ .
- 4 Equipped with 120 LM/W Philips LED, which provides uniform color consistency .
- 5 IP65.

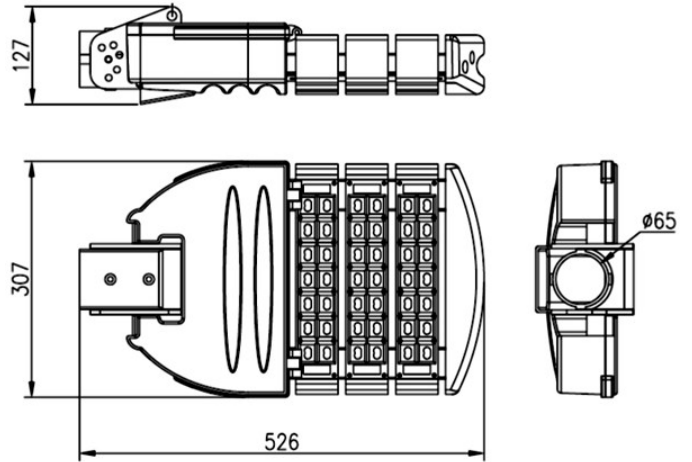
# LED Street Light (60w-210w)

## III. Drawing

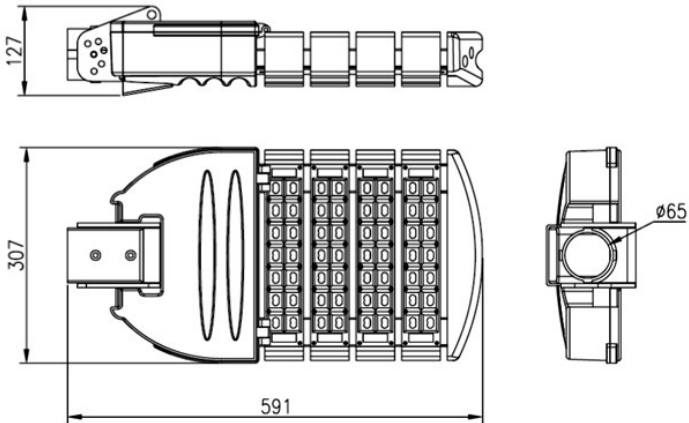
### SL2-60W



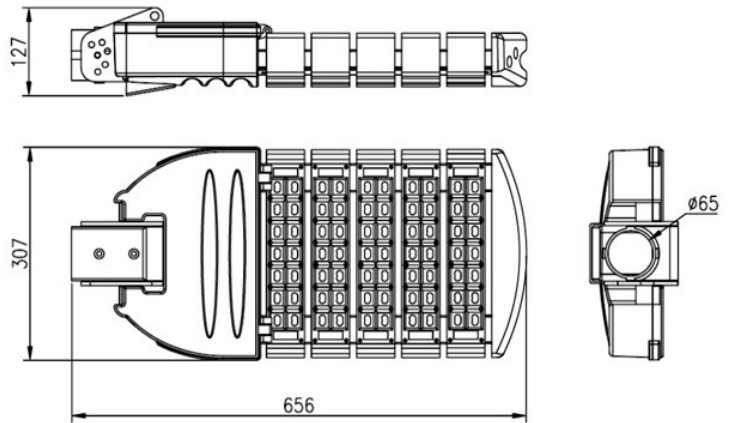
### SL2-90W



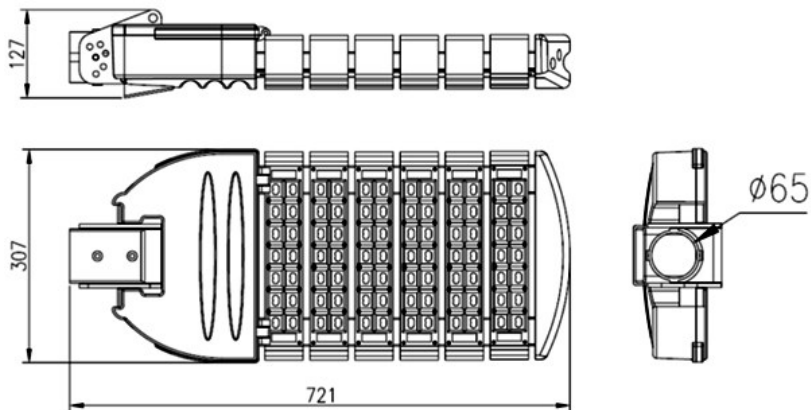
### SL2-120W



### SL2-150W

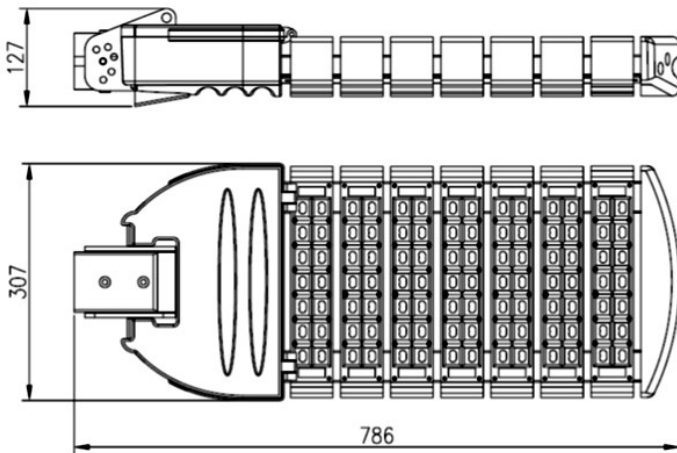


### SL2-180W



# LED Street Light (60w-210w)

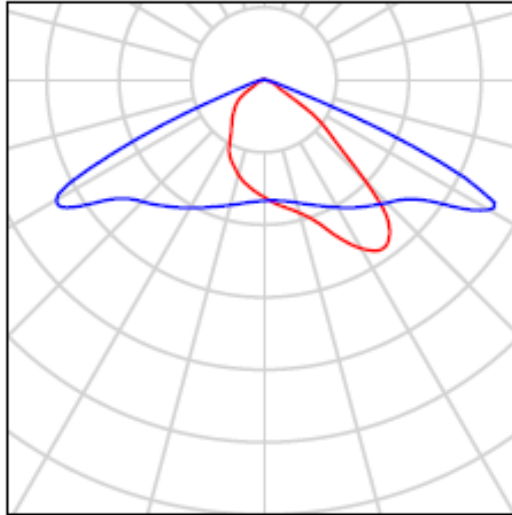
## SL2-210W



### IV. Technical Parameter

Model	CRI	Luminous Flux	System Power	Size (mm)	Package (mm)	Net Weight (kg)
SL2-60W	≥70	5850 LM	65±5W	461*307*127	520*365*185	5.5 kg
SL2-90W	≥70	9000 LM	100±5W	526*307*127	585*365*185	6.0 kg
SL2-120W	≥70	12150 LM	135±8W	591*307*127	650*365*185	6.5 kg
SL2-150W	≥70	14850 LM	165±8W	656*307*127	715*365*185	7.0 kg
SL2-180W	≥70	18000 LM	200±10W	721*307*127	780*365*185	7.5 kg
SL2-210W	≥70	20700 LM	230±10W	786*307*127	845*365*185	8.2 kg
PHILIPS Rebel ES LED: 28pcs 42pcs 56pcs 70pcs 84pcs 98pcs						
3000K 4000K 5000K						
100V~277Vac, 50/60Hz						
PF>0.95						
Driver efficiency >0.9						
IP65						
Working ambient temperature: -40°C ~ 45°C						
Storage ambient temperature: -40°C ~ 60°C						

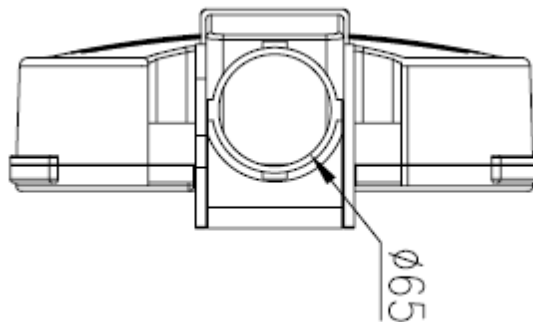
## V. Distribution Curve



---

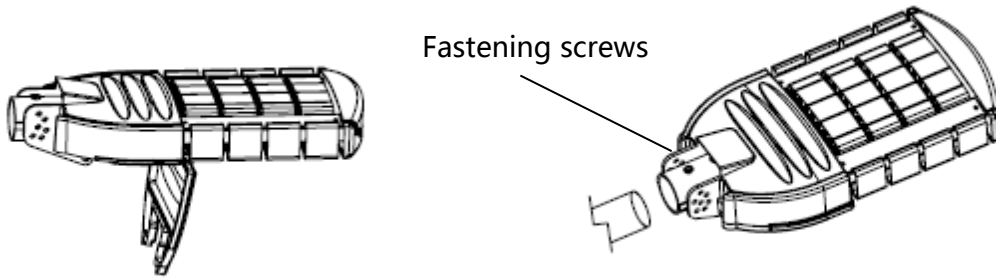
## VI. Installation

For arm diameter 40mm-60mm

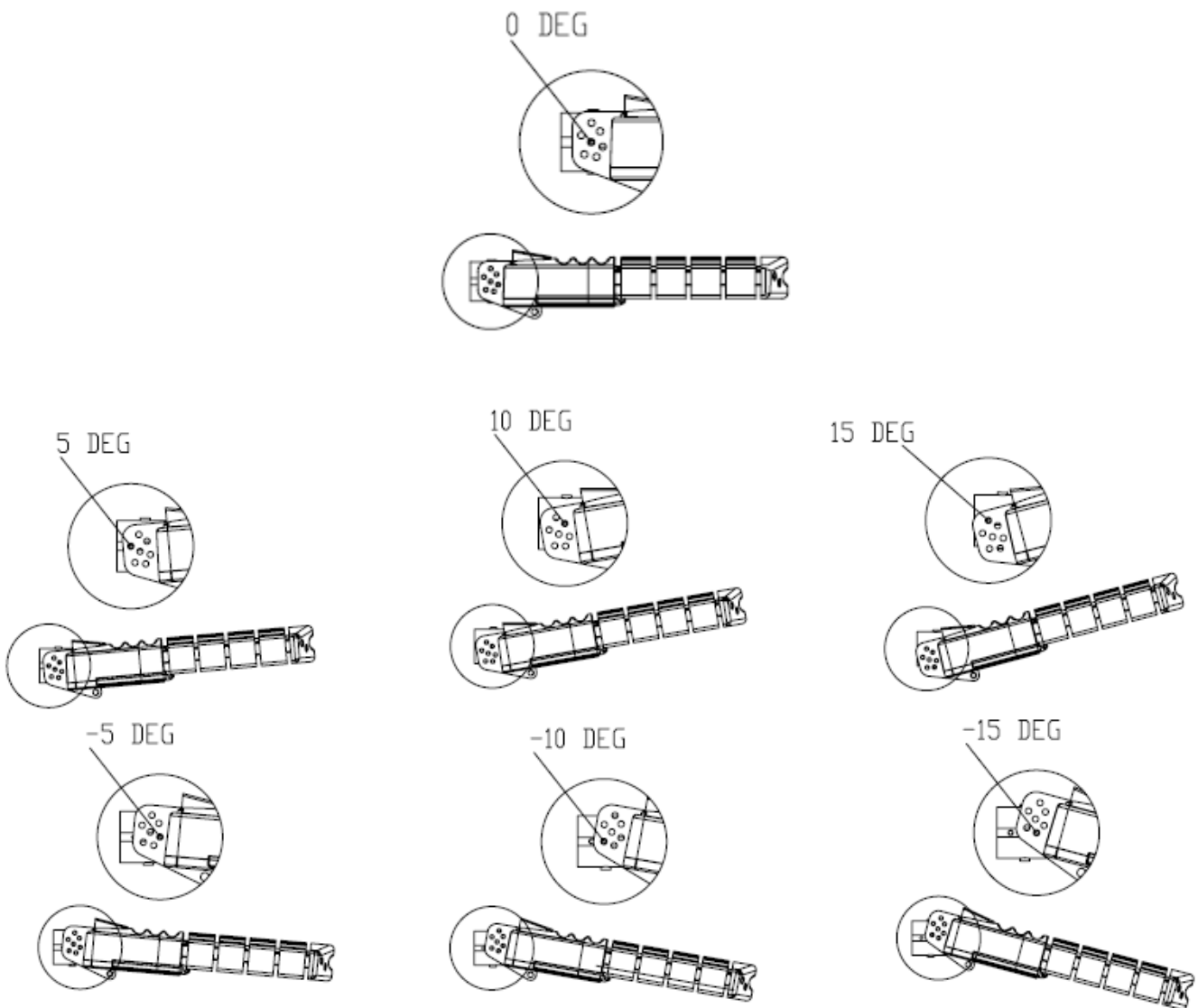


# LED Street Light (60w-210w)

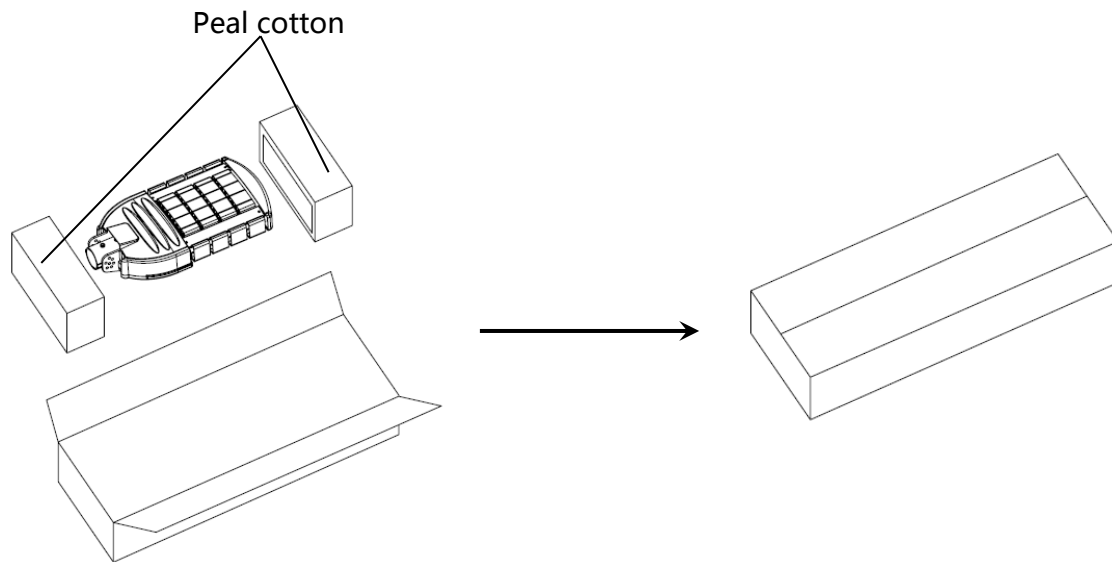
- 1 Open the power box, turn on PG9 connector, get through the power cable and get it connected, then cover it. Put the luminaire on the pole, fasten the 4pcs screws, get the lamp cap fixed on the pole.



- 2 According to your lighting request, adjust the angle and align the hole, then screw it up.



## VII. Packaging



---

## VIII. Installation Caution

- Before maintenance, please ensure the light have been powered off, make sure the installation position can bear the weight of the luminaire.
- To avoid the luminaire dropped out, please make sure the installation is right.
- Do not use it in conditions of corrosive gas.
- Do not cover any object on the lamp.
- For safety, please connect the ground wire.
- Decomposition, modification, or failure caused by improper construction is not within the scope of this warranty