

Spot Light - J Series (SP4.5W3-J)

Model: SP4.5W3-J (GU5.3 / GU10)

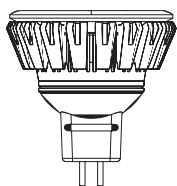
- Patent Design
- High luminous efficiency
- Excellent heat dissipation
- Built-in OTAS (Over Temperature Adapt System)



Features

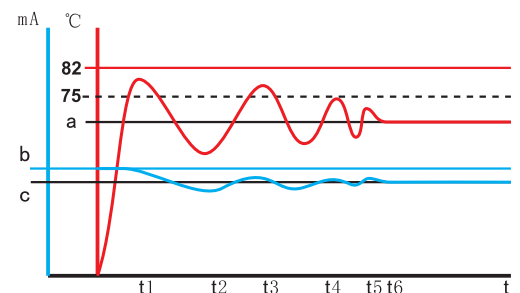
- It's with high power LED, life-span > 50,000 hours.
- Save more than 85% energy than halogen lamp.
- Patent appearance design with excellent heat dissipation performance.
- Adopts matted lens with high light transmission, high light uniformity, no lightspot, no strong glare.
- Beam angle: 15°/25°/45°/60°
- Built-in OTAS (Over Temperature Adapt System) to assure the life-span and good performance.
- It is applied extensively to house, hotel, office, shopping mall, etc.
- Anodized aluminum, Black & Silver fixture color are available.

Design Origin



- Inspired through observation of nature - Jellyfish.
- Unique design.

OTAS



Spot Light - J Series (SP4.5W3-J)

Technical Parameters

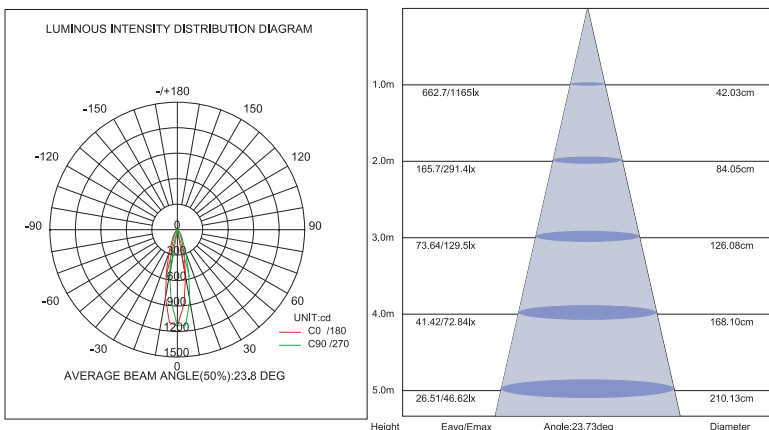


Size (GU5.3)	Ø50*55mm
Size (GU10)	Ø50*60mm
Input Volt. (GU5.3)	AC/DC12V, AC24V
Input Volt. (GU10)	AC90-260V
Input Power	4.5W
Beam Angle	15°/25°/45°/60°
Luminous Flux	250LM / 320LM
CRI	WW: 85 / CW: 75
Life-span	50,000h
Fitting	GU5.3 / GU10
CCT	3000K / 6000K
LED	3pcs Cree / Epistar LED
Protection Level	IP20
Storage Temp.	-40°C~+80 °C
Working Temp.	-20°C~+40 °C
Inner package	52*52*68mm
Outer package	390*390*285mm
Certificates	CE, RoHS
Net Weight	45g

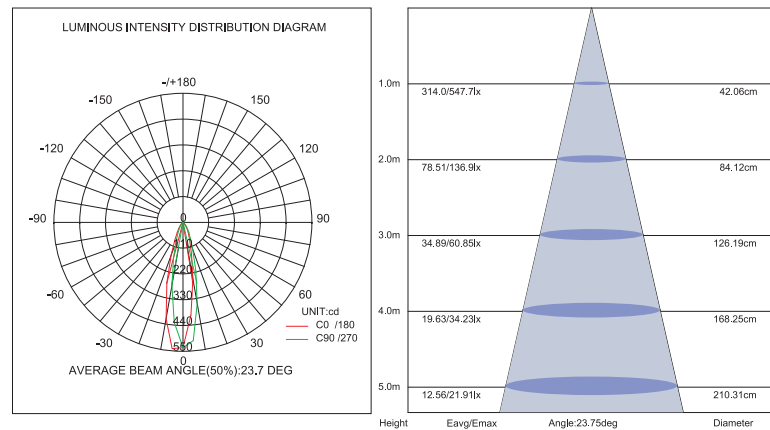
Remarks:

1. The related parameters are based on CRRE-XPE LEDs.
2. Indoor use only.

Illumination



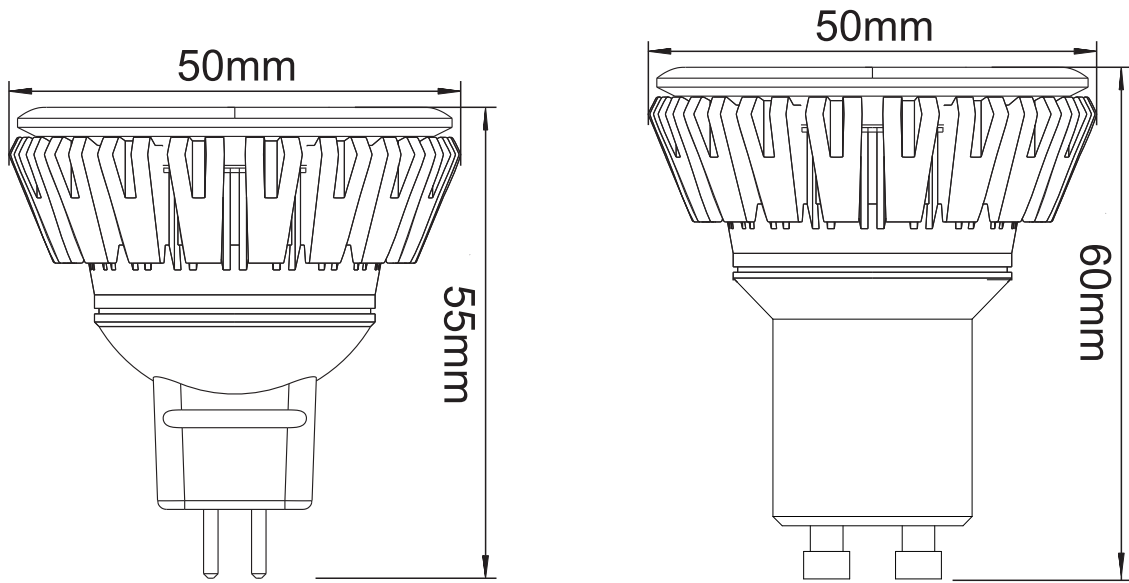
CCT: 3000K



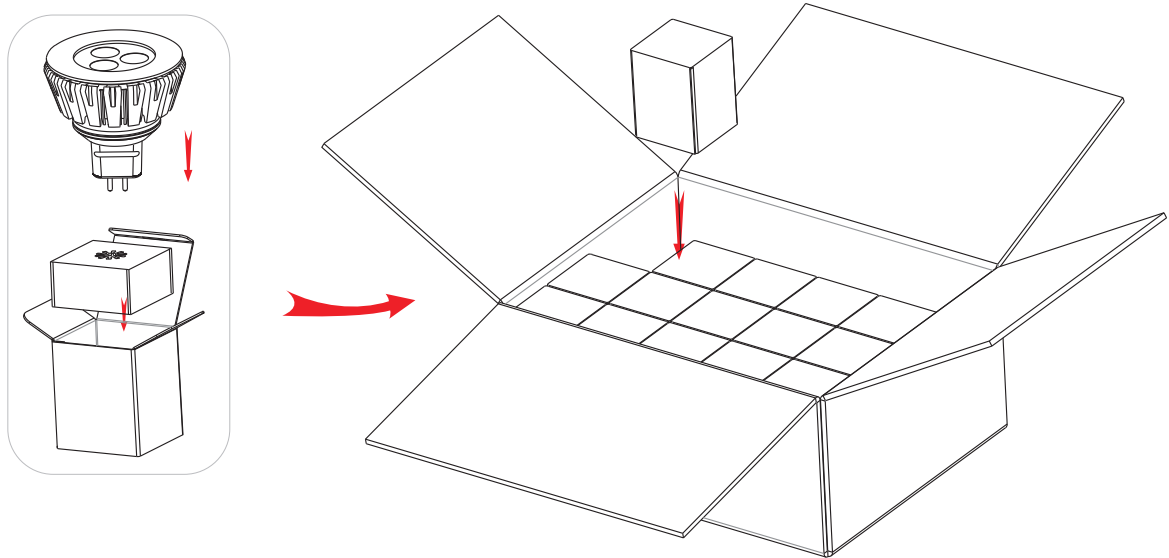
CCT: 6000K

Spot Light - J Series (SP4.5W3-J)

Dimension



Package



N.W.	9.1 KGS
G.W.	9.7 KGS
QTY.	140 PCS

FEELIGHT TECH CO., LIMITED

Tel: 86-755-33154377
info@feellights.com

Fax: 86-755-25828879
<http://www.feellights.com>

Copyright © FEELIGHT TECH CO., LIMITED All rights reserved.

