

# LED Parking Lot Light (24w-60w)

---



---

## I. Application

Parking lot, road, etc.

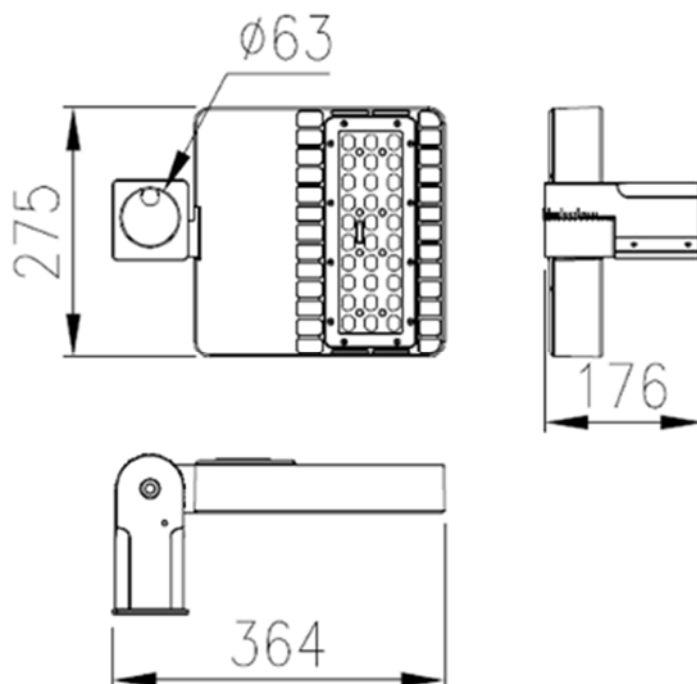
---

## II. Features

- 1 Lighting distribution is well designed for the parking lot and road.
- 2 Hollow out heat sink design makes the lamp lighter and good heat dissipation.
- 3 Installation Angle can be adjusted from  $-90^{\circ}$  to  $+90^{\circ}$ .
- 4 CREE / SAMSUNG LED for options.
- 5 IP65.

# LED Parking Lot Light (24w-60w)

## III. Drawing

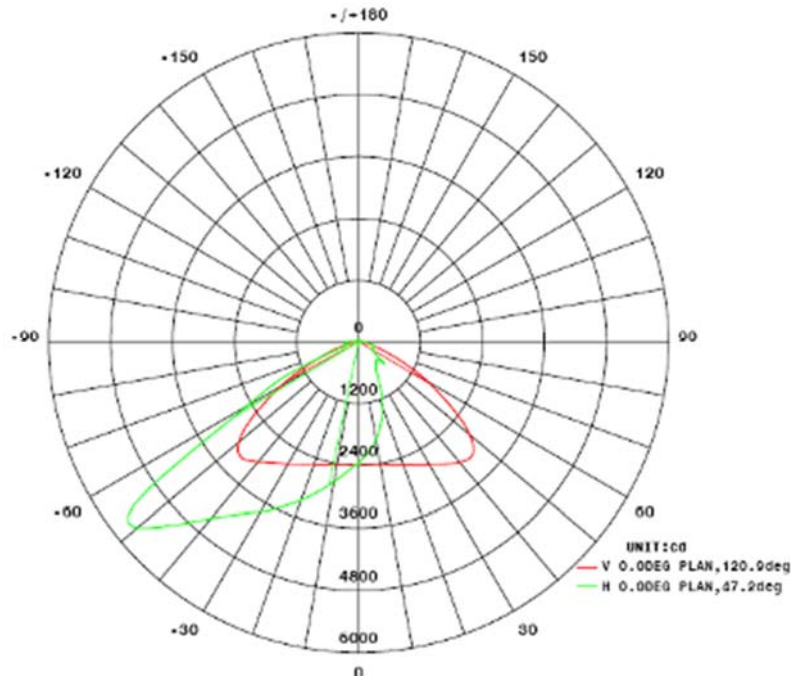


## IV. Technical Parameter

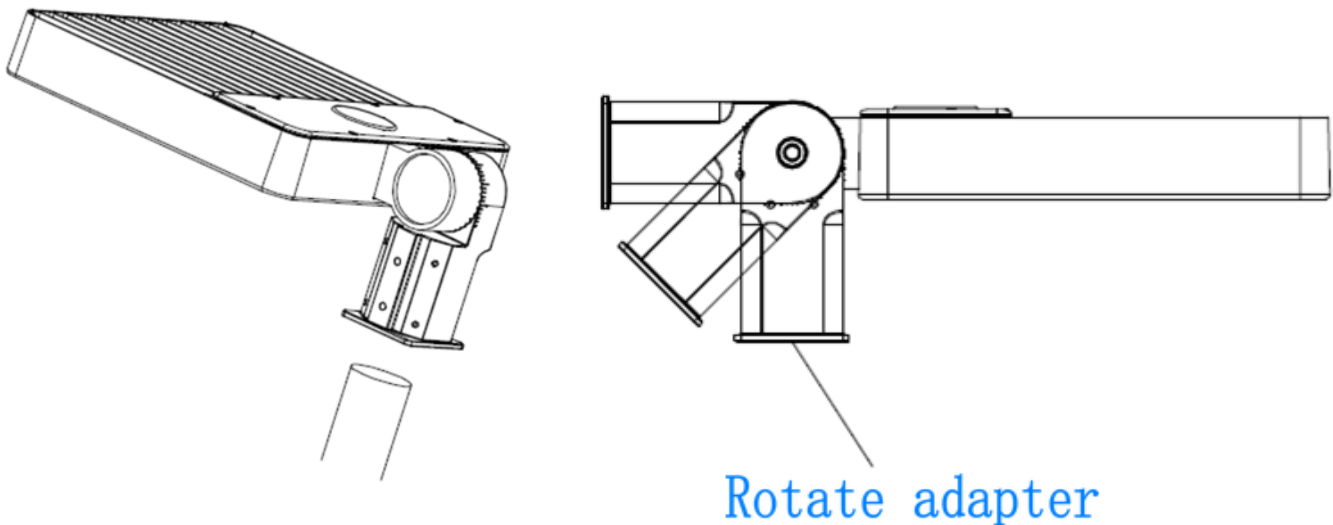
| Model                                     | Input Voltage | Power | CRI | Lumens  | N.W.  |
|---|---------------|-------|-----|---------|-------|
| PAL1024                                   | AC100V-277V   | 24W   | ≥70 | 2160 LM | 4.5KG |
| PAL1048                                   | AC100V-277V   | 48W   | ≥70 | 4320 LM | 4.5KG |
| PAL1060                                   | AC100V-277V   | 60W   | ≥70 | 5400 LM | 4.5KG |
| LED: SAMSUNG, CREE                        |               |       |     |         |       |
| 3000K 4000K 5000K                         |               |       |     |         |       |
| PF>0.95                                   |               |       |     |         |       |
| Driver efficiency >0.9                    |               |       |     |         |       |
| IP65                                      |               |       |     |         |       |
| Working ambient temperature: -40°C ~ 45°C |               |       |     |         |       |
| Storage ambient temperature: -40°C ~ 60°C |               |       |     |         |       |

# LED Parking Lot Light (24w-60w)

## V. Distribution Curve



## VI. Installation



### Installation Caution

- Before maintenance, please ensure the light have been powered off.
- To avoid the luminaire dropped out, please make sure the installation is right.
- Do not cover any object on the lamp.
- For safety, please connect the ground wire.
- Decomposition, modification, or failure caused by improper construction is not within the scope of this warranty.