

Item No.: HB420-100W (45°)

HB500S-100W (90°)

HB500B-100W (120°)



Materials

- High quality Die-casting aluminum alloy.
- Anodized and powder coated to assure the anti-corrosion performance.
- High power ceramic encapsulation multi-chip LED.
- High quality thermal conductive adhesive and other auxiliary materials.

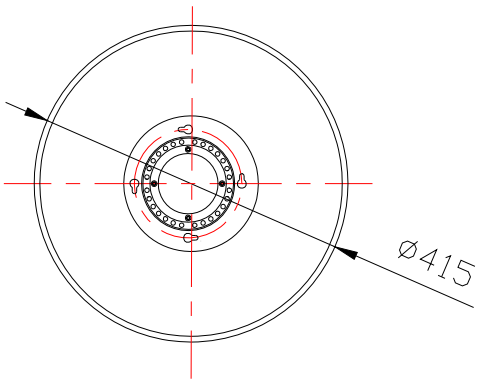
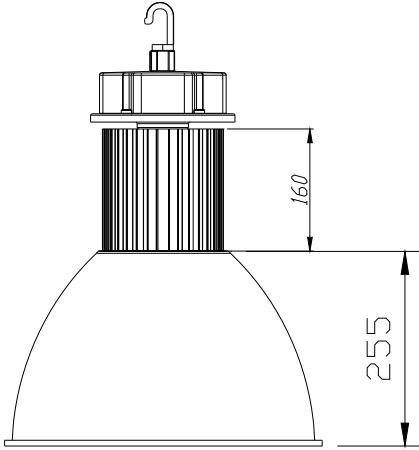
Features

- Power Efficiency: >94%, Power factor>0.95
- Patented technology for LED encapsulation (COB)
- Input voltage: AC 85V-265V (50-60Hz)
- Protection level: IP65, Insulation Class: CLASS 1.
- Lifespan: 50,000 hours
- Environment friendly, no UV
- GB7000.1, IEC60598, IEC61347, EN55015 test compliance.

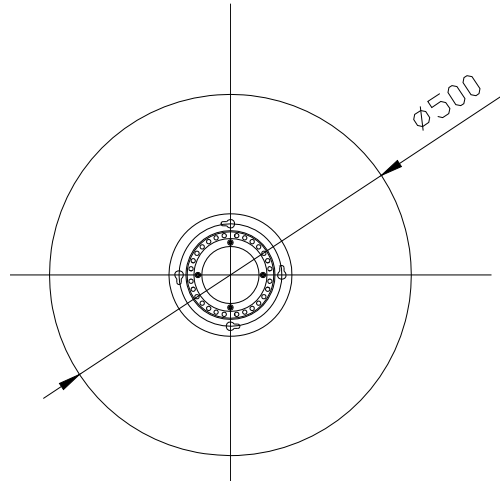
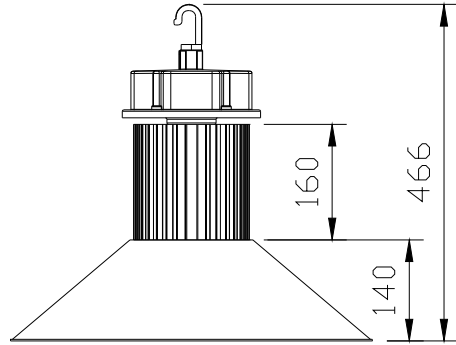
100W LED HIGH BAY

Drawing

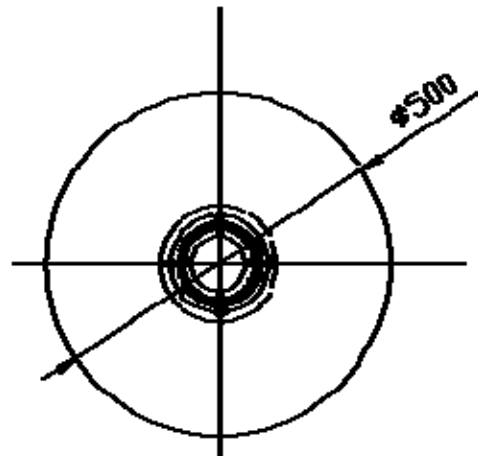
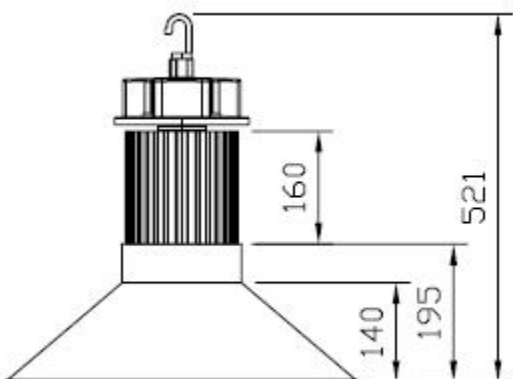
45 degree Beam Angle



120 degree Beam Angle



90 degree Beam Angle



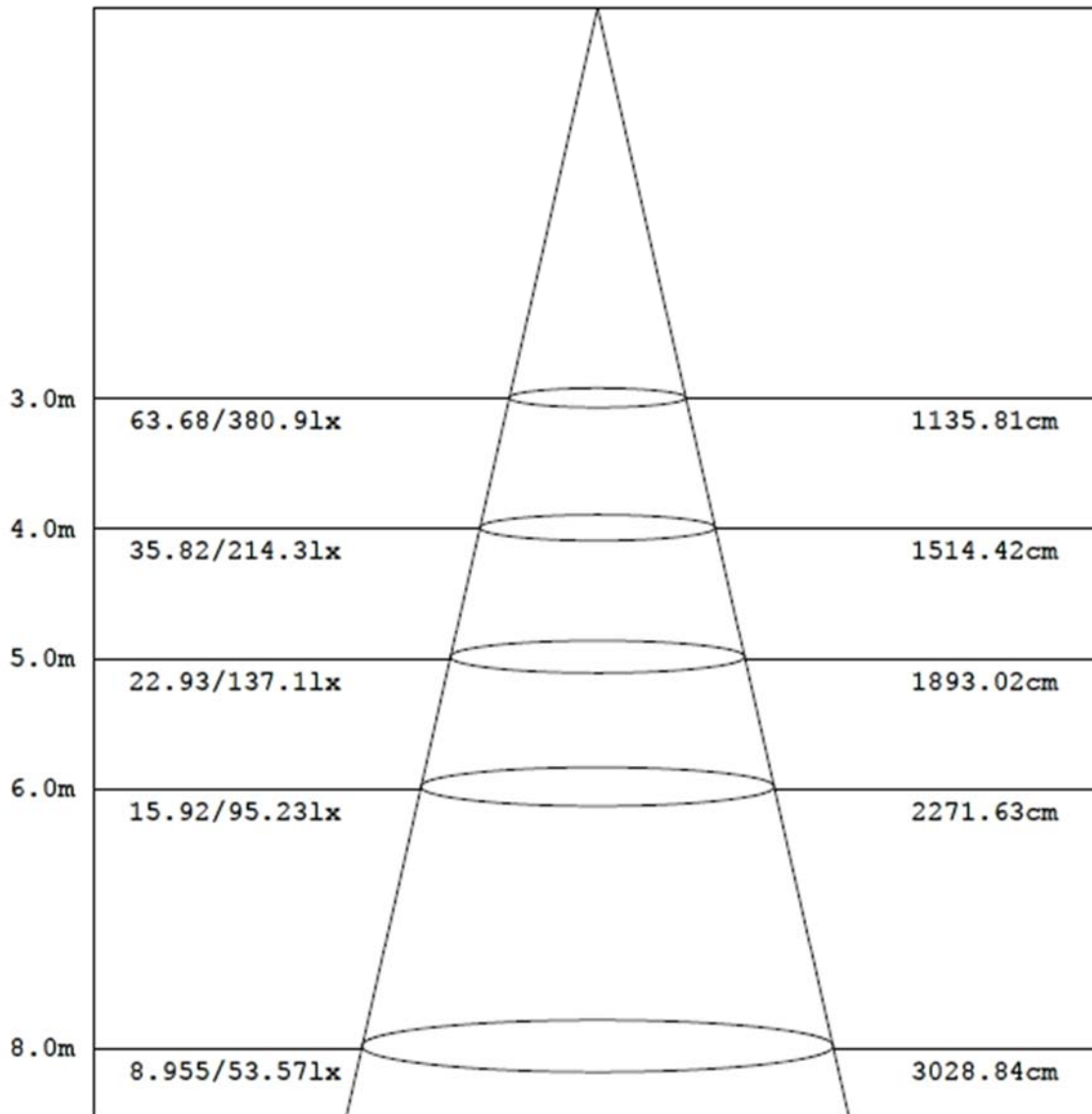
100W LED HIGH BAY

Parameters

Input Voltage		AC85V-265V
Frequency Range		50Hz - 60Hz (AC)
Total Harmonic Distortion		≤ 9 %
Power Factor		> 0.95
Power Efficiency		> 94 %
LED Quantity		1 pcs
LED Power Consumption		100W
LED Luminous Efficiency		90-100LM/W; 110-120LM/W
Illuminance Uniformity		> 0.4
Color Temperature (CCT)	WW	2700K - 3200K - 3700K
	PW	4500K - 5000K - 5500K
	CW	6000K - 6500K - 7000K
Color Rendering Index	WW	Ra> 70
	PW,CW	Ra> 75
Working Temperature		-40°C ~ +55°C
Storage Temperature		-25°C ~ +65°C
IP Grade		IP65
Working Life-span		50,000h
Color of Fixture		Black, Silver

100W LED HIGH BAY

Isolux Diagram (HB500B-100W)

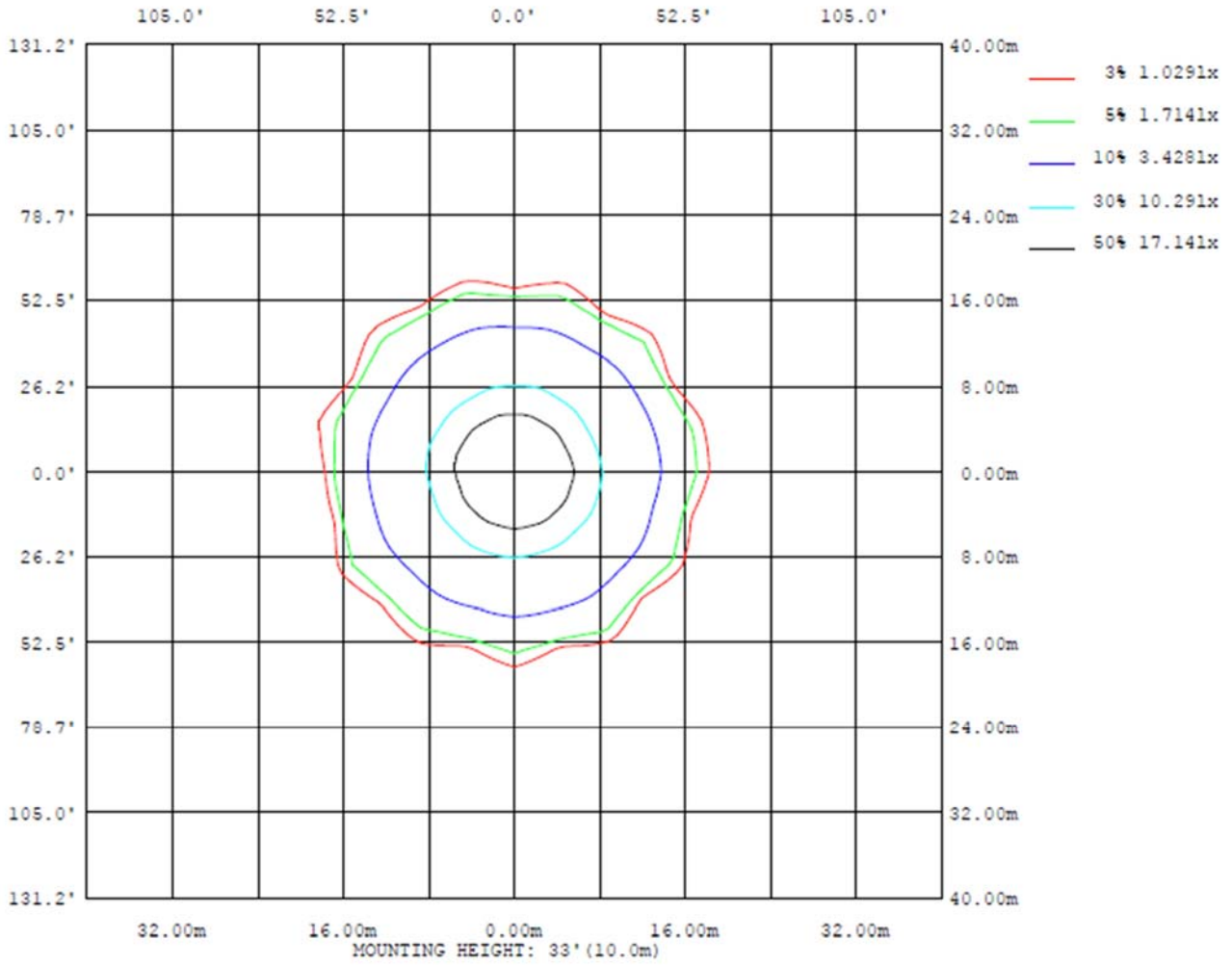


Height Eavg/Emax Angle:124.31deg Diameter

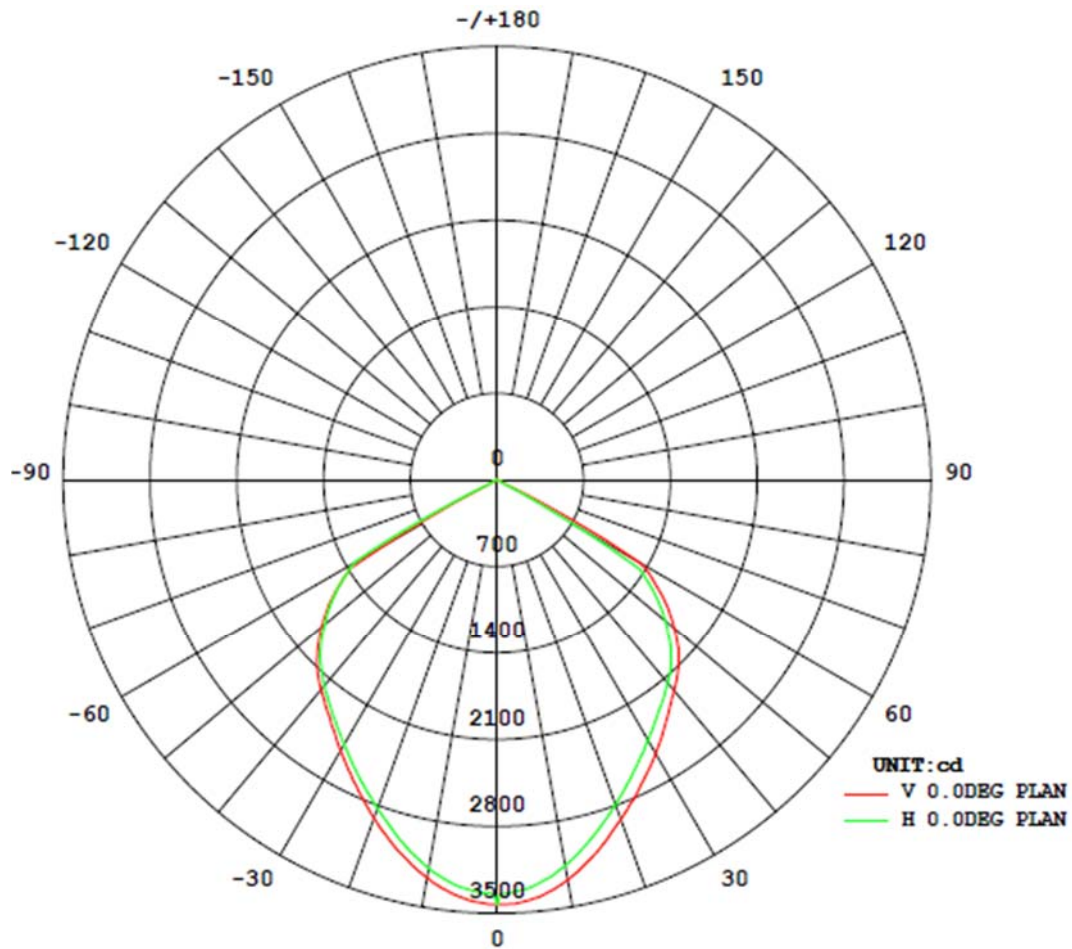
Note: The Curves indicate the illuminated area and the average illumination when the luminaire is at different distance.

100W LED HIGH BAY

Isolux Diagram (HB500B-100W)



Luminous Intensity Distribution Diagram (HB500B-100W)



Packing Info.

- Heat sink:
Package size: 26x26x38cm, 1 PCS/Carton, G.W.: 6 KGS
- Reflectors:
45° Reflector: 50x50x55cm, 10PCS/Carton, G.W: 6.3 KGS
90° Reflector: 58x58x36cm, 10PCS/Carton, G.W: 7.8 KGS
120° Reflector: 58x58x31cm, 10PCS/Carton, G.W: 7.5 KGS