

Item No.: FL330 Series
(Power: 100w - 150w)



Materials

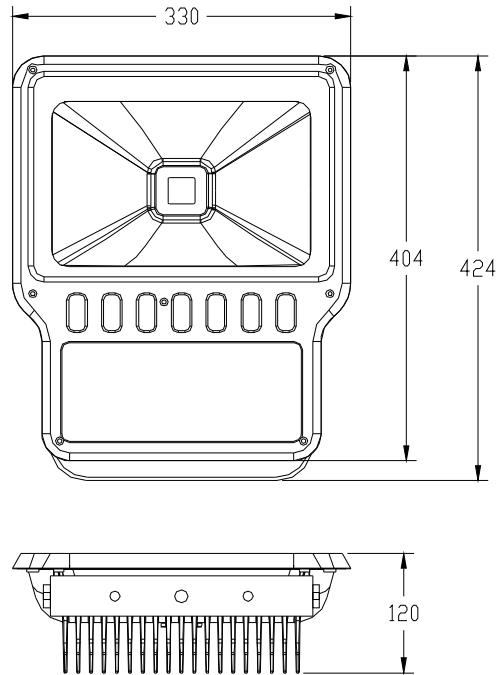
- High quality Die-casting aluminum alloy.
- Anodized and powder coated to assure the anti-corrosion performance.
- High power ceramic encapsulation multi-chip LED.
- High quality thermal conductive adhesive and other auxiliary materials.

Features

- Lamp's Efficiency: >80%, Power factor>0.95
- Patented technology for LED encapsulation (COB)
- Input voltage: AC 85V-265V (50-60Hz); DC24V (for 80W)
- Protection level: IP65, Insulation Class: CLASS 1.
- Lifespan: 50,000 hours
- Environment friendly, no UV
- GB7000.1, IEC60598, IEC61347, EN55015 test compliance.

LED FLOOD LIGHT – FL330 SERIES (100-150W)

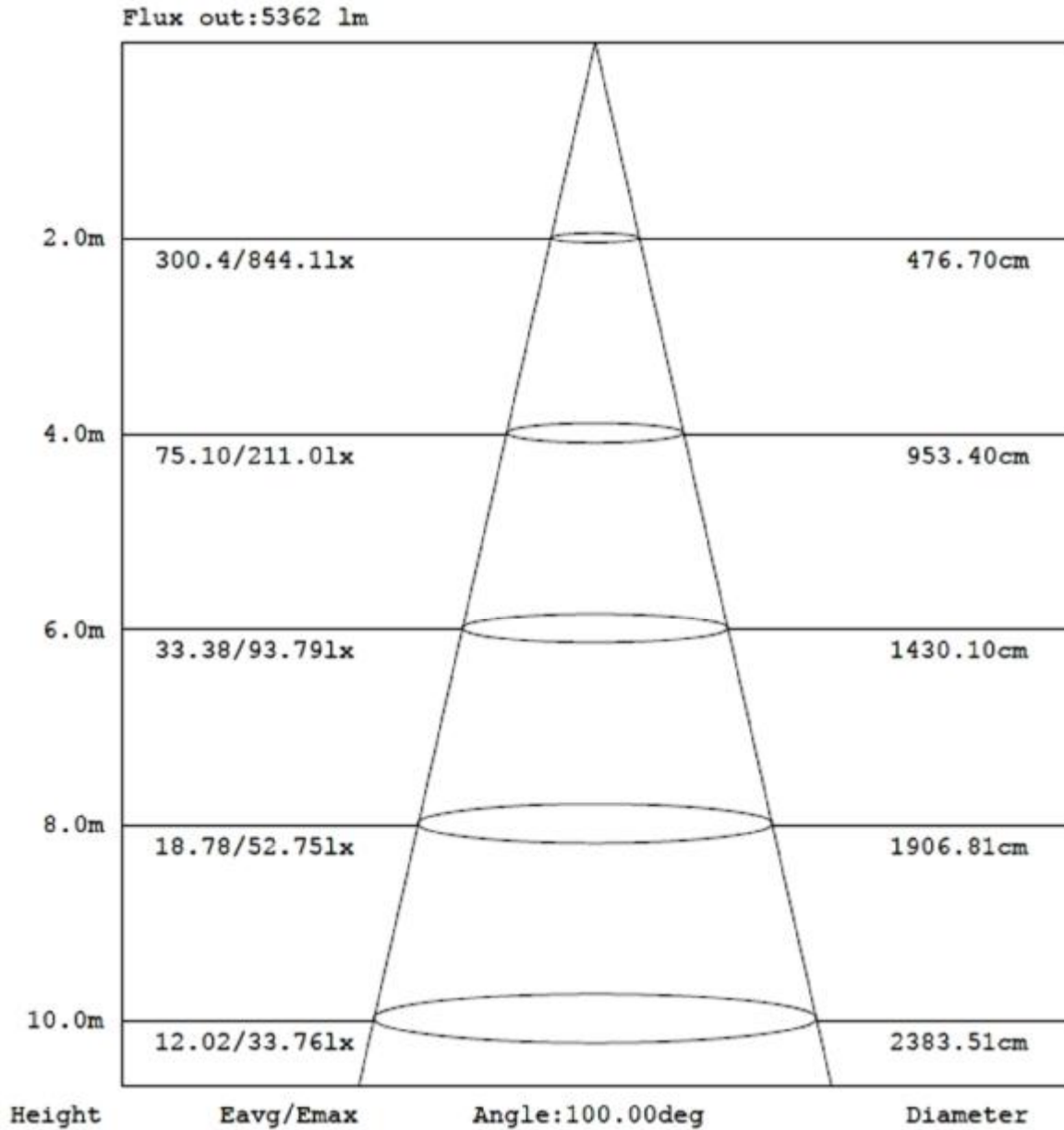
Drawing



Parameters

Input Voltage	85V-265Vac	
Frequency Range	50Hz - 60Hz (AC)	
Total Harmonic Distortion	≤ 9 %	
Power Factor	> 0.9	
LED Quantity	1 pcs	
LED Power Consumption	100W / 120W / 150W	
LED Luminous Efficiency	100 LM/W; 130 LM/W	
Lamp's Efficiency	> 80 %	
Illuminance Uniformity	> 0.4	
Beam angle	100°	
Color Temperature (CCT)	WW	2700K - 3200K - 3700K
	PW	4500K - 5000K - 5500K
	CW	6000K - 6500K - 7000K
Color Rendering Index	WW	Ra > 70
	PW,CW	Ra > 75
LED Junction Temperature	≤80°C	
Working Temperature	-40°C ~ +55°C	
Storage Temperature	-25°C ~ +65°C	
IP Grade	IP65	
Working Life-span	50,000h	
Color of Fixture	Grey, Black	

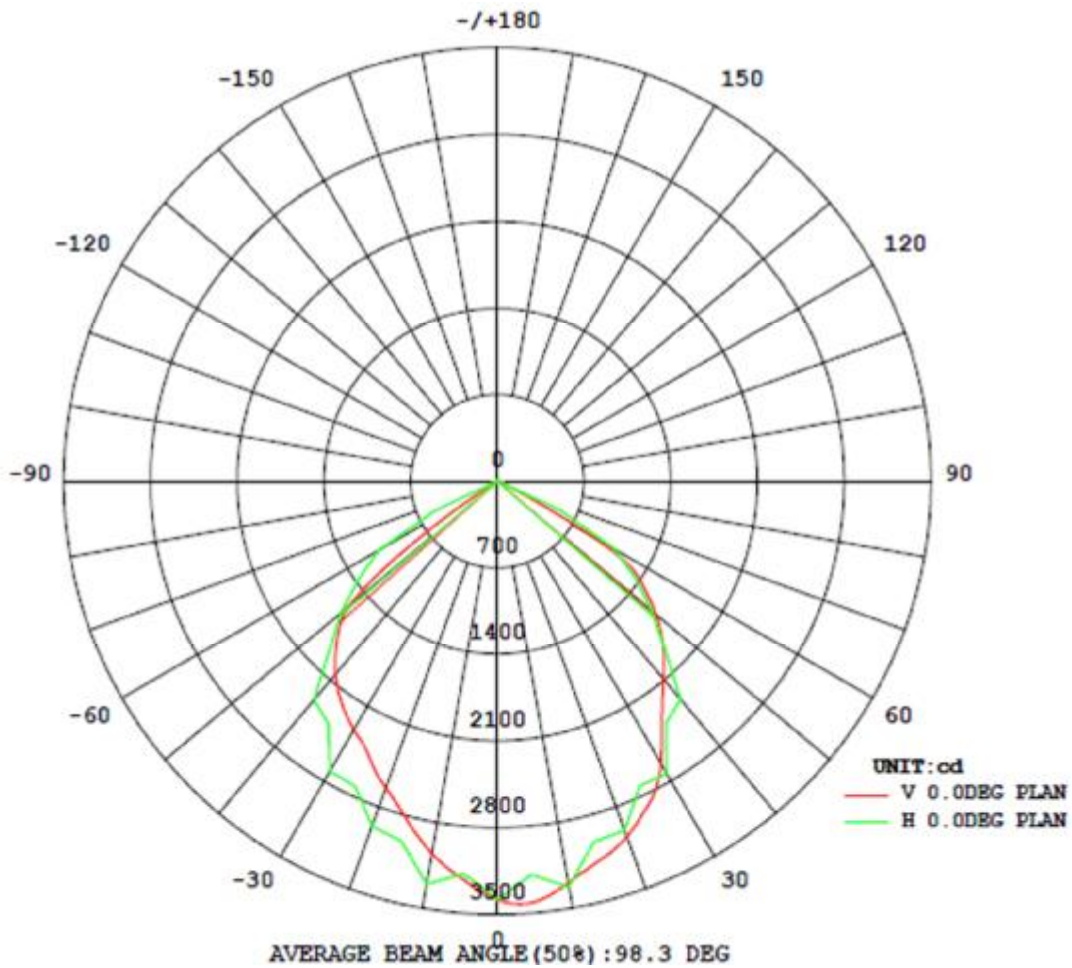
Isolux Diagram (FL330-100w)



Note: The Curves indicate the illuminated area and the average illumination when the luminaire is at different distance.

LED FLOOD LIGHT – FL330 SERIES (100-150W)

Luminous Intensity Distribution Diagram (FL330-100W)



Packing Info.

Package size: 52x44x52cm, 2 PCS/Carton, G.W.: 21 KGS (N.W.: 8.5 KGS/PCS)

FEEL
LIGHT FEELIGHT TECH CO., LIMITED

Tel: +86 755-2582 8879
E-mail: info@feellights.com

Fax: +86 755-3315 4377
<http://www.feellights.com>

Copyright © FEELIGHT TECH CO., LIMITED All rights reserved.

LED FLOOD LIGHT – FL330 SERIES (100-150W)
