

Item No.: FL115 Series

(Power: 10w)



Materials

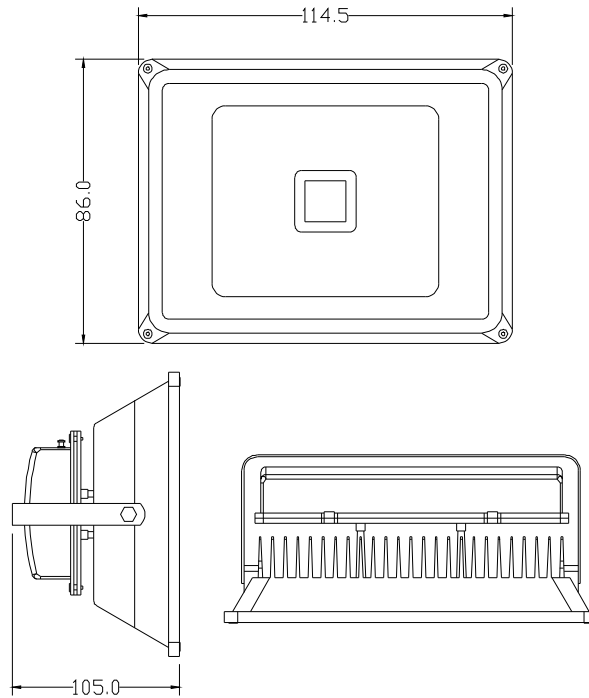
- High quality Die-casting aluminum alloy.
- Anodized and powder coated to assure the anti-corrosion performance.
- High power ceramic encapsulation multi-chip LED.
- High quality thermal conductive adhesive and other auxiliary materials.

Features

- Lamp's Efficiency: >87%, Power factor>0.95
- Patented technology for LED encapsulation (COB)
- Input voltage: AC 85V-265V (50-60Hz); DC12V, DC24V (Available for solar energy system)
- Protection level: IP65, Insulation Class: CLASS 1.
- Lifespan: 50,000 hours
- Environment friendly, no UV
- GB7000.1, IEC60598, IEC61347, EN55015 test compliance.

LED FLOOD LIGHT – FL115 SERIES (10W)

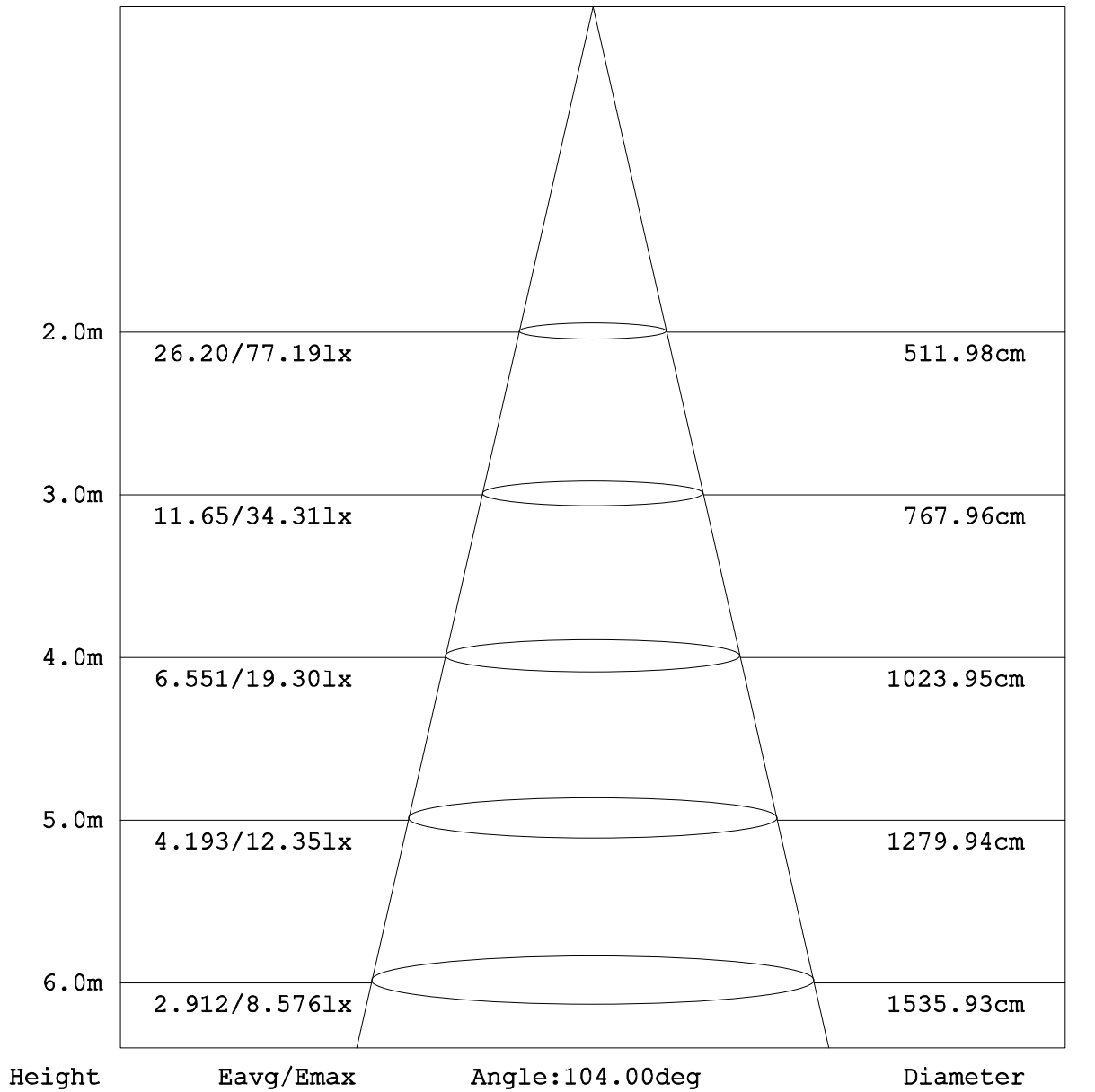
Drawing



Parameters

Input Voltage		85V-265Vac, 12Vdc, 24Vdc
Frequency Range		50Hz - 60Hz (AC)
Total Harmonic Distortion		≤ 9 %
Power Factor		> 0.9
LED Quantity		1 pcs
LED Power Consumption		10W
LED Luminous Efficiency		100 LM/W; 130 LM/W
Lamp's Efficiency		> 87 %
Illuminance Uniformity		> 0.4
Color Temperature (CCT)	WW	2700K - 3200K - 3700K
	PW	4500K - 5000K - 5500K
	CW	6000K - 6500K - 7000K
Color Rendering Index	WW	Ra> 70
	PW,CW	Ra> 75
LED Junction Temperature		≤80°C
Working Temperature		-40°C ~ +55°C
Storage Temperature		-25°C ~ +65°C
IP Grade		IP65
Working Life-span		50,000h
Color of Fixture		Grey, Black, White

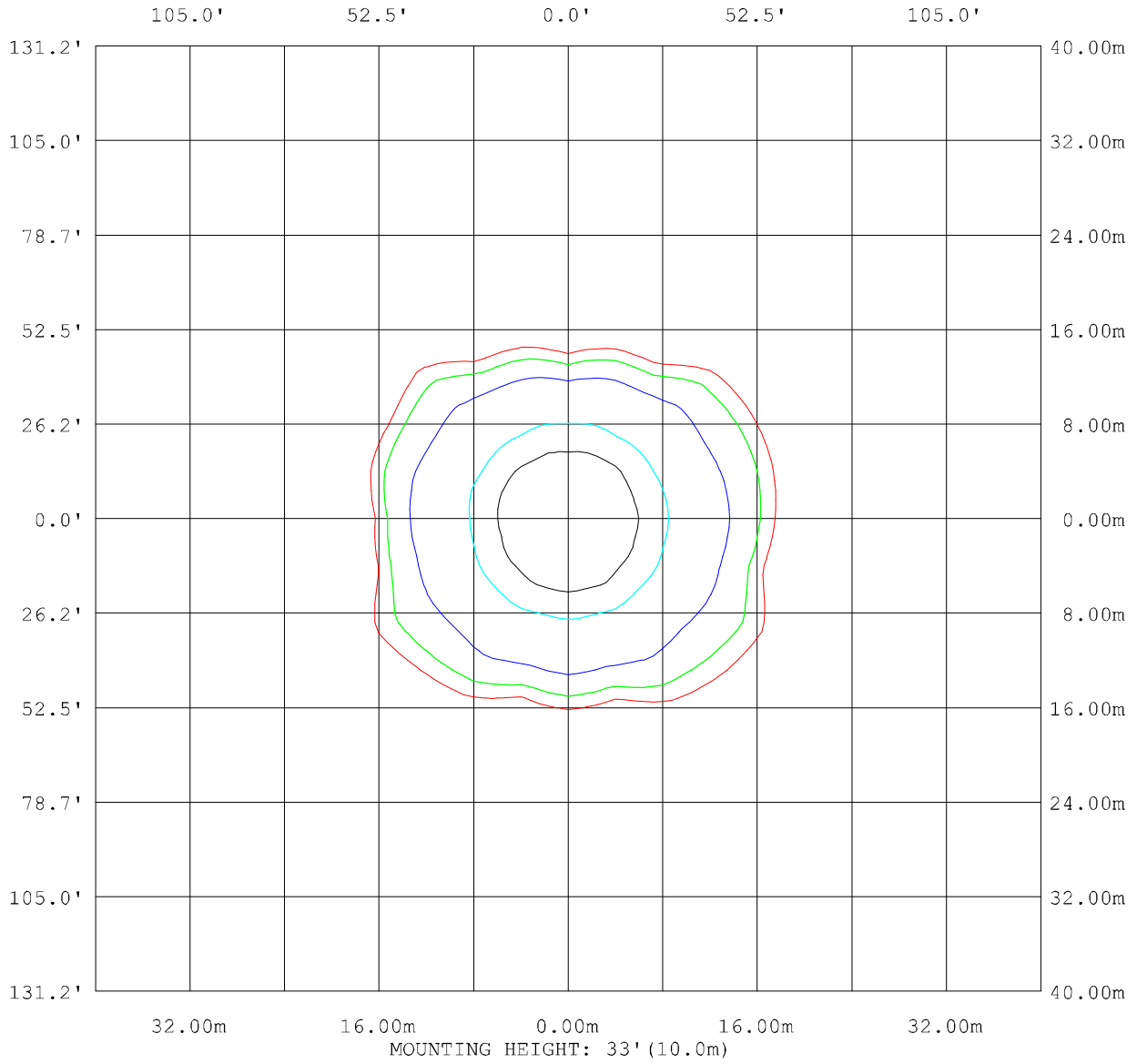
Isolux Diagram (FL115-10W)



Note:The Curves indicate the illuminated area and the average illumination when the luminaire is at different distance.

LED FLOOD LIGHT – FL115 SERIES (10W)

Isolux Diagram (FL115-10W)



— 3% 0.09261x

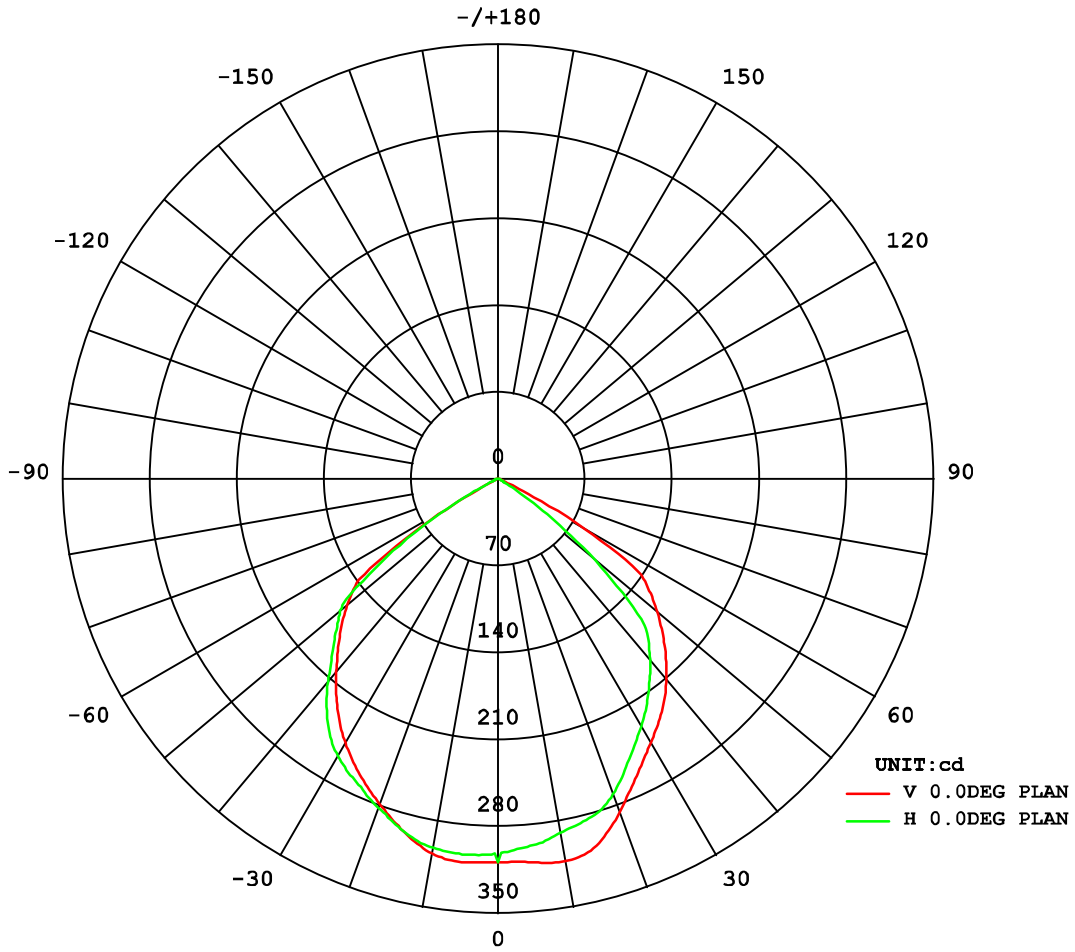
— 5% 0.15441x

— 10% 0.30871x

— 30% 0.92621x

— 50% 1.5441x

Luminous Intensity Distribution Diagram (FL115-10W)



Packing Info.

Package size: 52.5x27x23.5cm, 20 PCS/Carton, G.W.: 15.46 KGS

FEEL
LIGHT FEELIGHT TECH CO., LIMITED

Tel: +86 755-2582 8879
E-mail: info@feellights.com

Fax: +86 755-3315 4377
<http://www.feellights.com>