

**Item No.: FL-S300 / FL-S300H**  
**(System power: 310W)**



**Up to 100 lm/w or 130 lm/w LED**

**Precise optical lens system**

**10,25,40, 60,90 degree beam angles are available.**

**2-10 times brighter than conventional light**

**Modular design, easier maintenance**

**Direct heat path technology**

**2-5 times better stability**

**Anti-Glare system**

**IP65 protection**

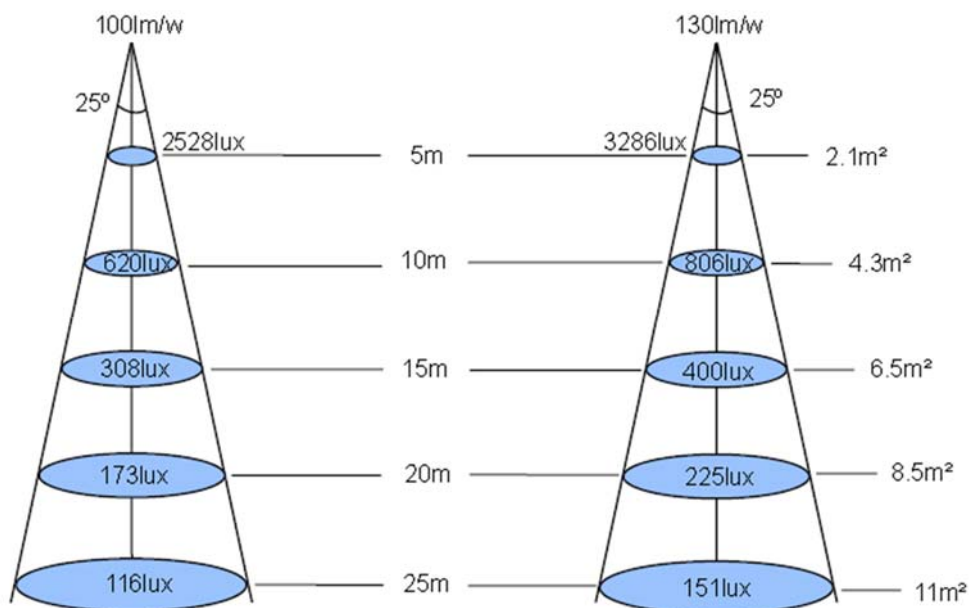
**3 years of warranty**

# 300W LED FLOOD LIGHT

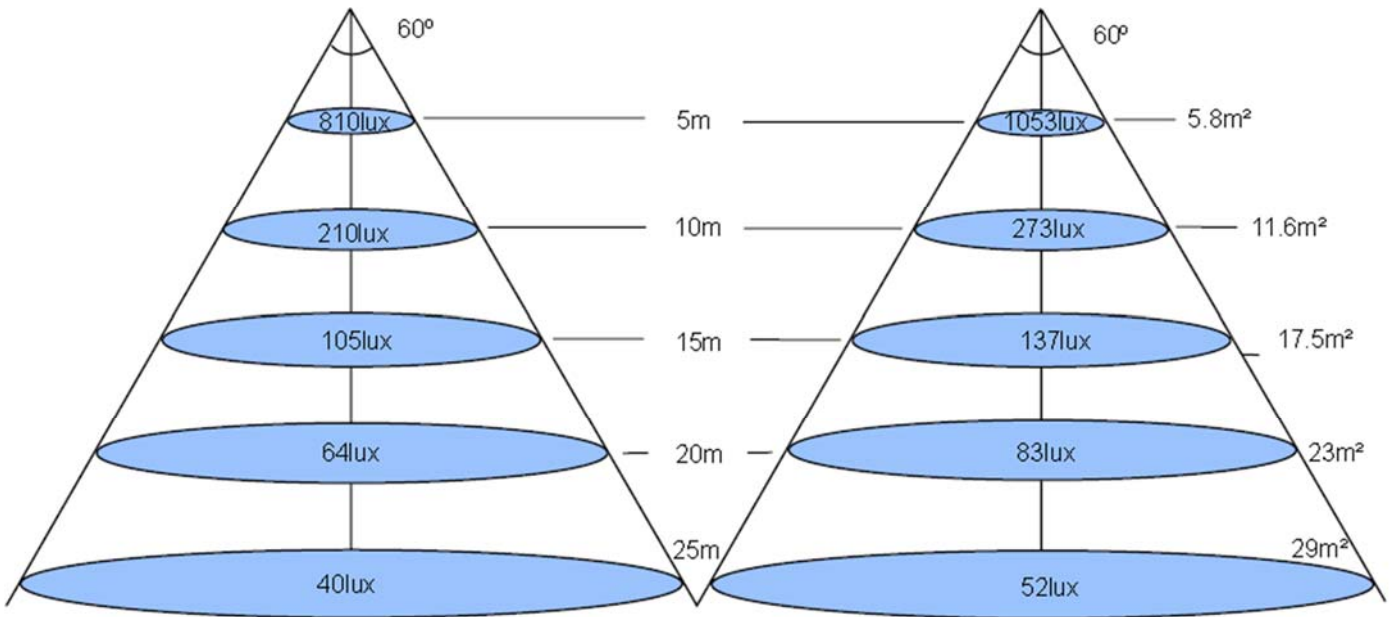
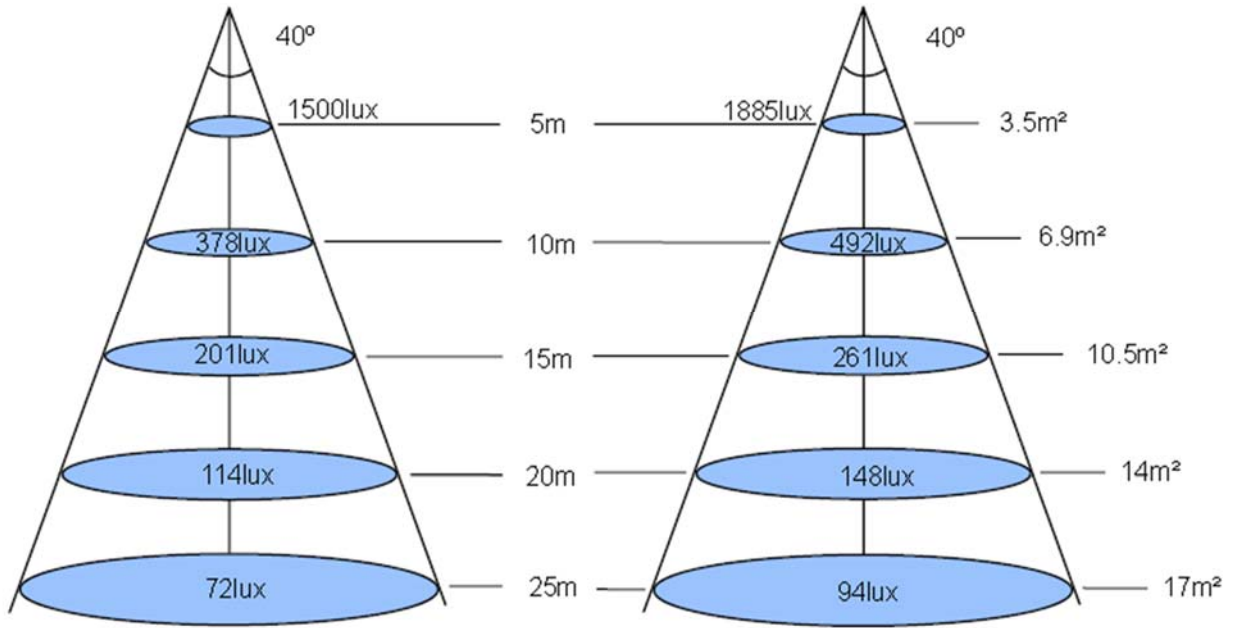
## Parameters

Item No.	FL-S300	FL-S300(H)
LED Power	310W	310W
Light Source	Epistar	Bridgelux
Input Volt.	90-265Vac, 50/60Hz	
Power Factor	≥0.95	
Power Efficiency	≥90%	
CRI	Ra>65	
Luminous Flux	30,000LM	39,000 LM
Beam Angle	10°, 25°, 40°, 60°, 90°	25°, 40°, 60°, 90°
CCT	3000K; 5500K; 6500K	
Life-span	50,000h	
Storage Temp.	-25°C~+55°C	
Working Temp.	-40°C~+80°C	
Working Humidity	10%-90% RH	
IP Rating	IP65	
Dimension	510*416.5*90mm	
Weight	15.9kg	

## Isolux Diagram

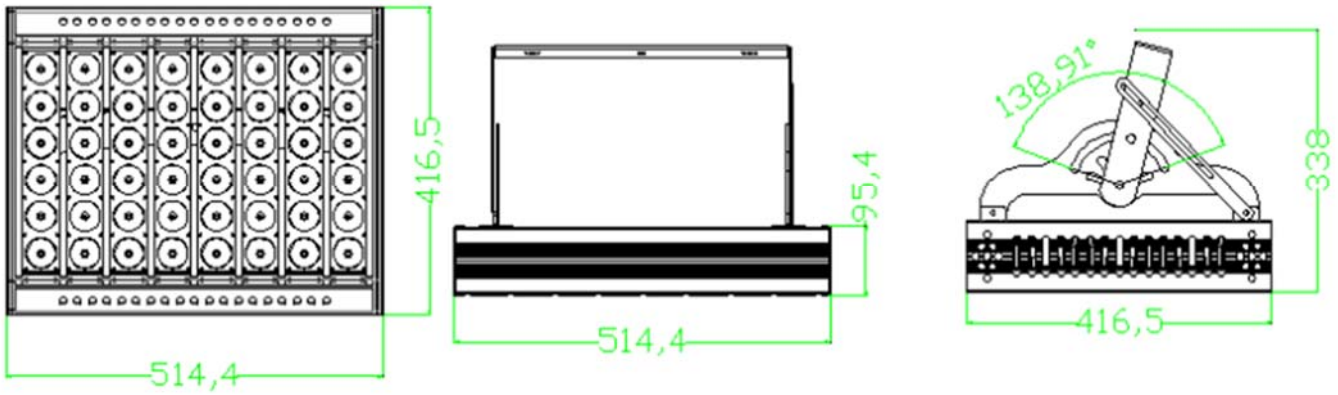


# 300W LED FLOOD LIGHT

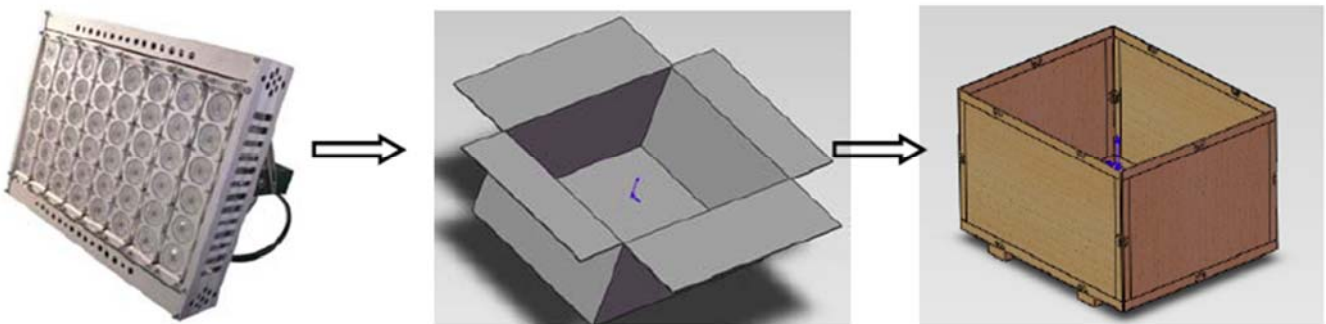


# 300W LED FLOOD LIGHT

## Dimension



## Packing Info.



**FEEL**  
LIGHT FEELIGHT TECH CO., LIMITED

Tel: +86 755-25828879  
E-mail: info@feellights.com

Fax: +86 755-33154377  
<http://www.feellights.com>

Copyright © FEELIGHT TECH CO., LIMITED All rights reserved.